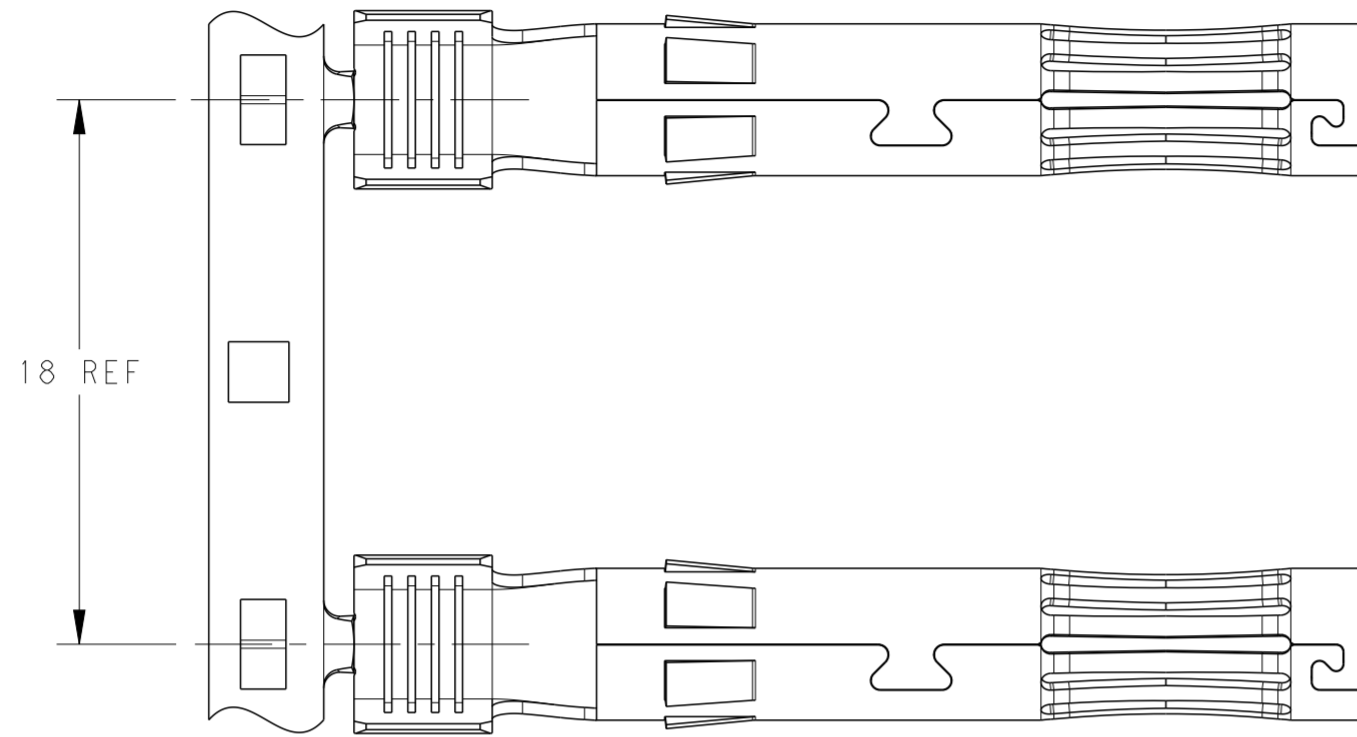
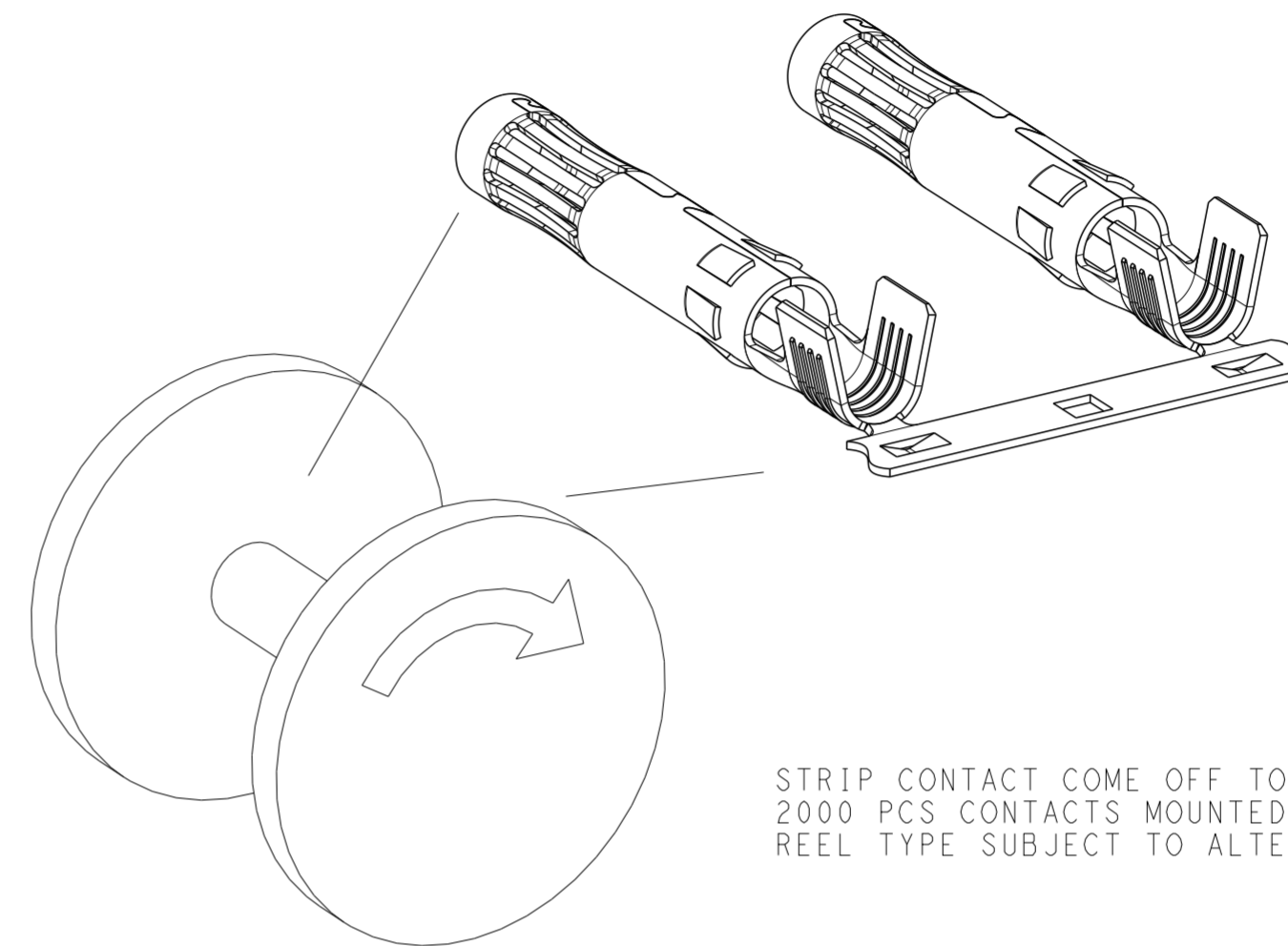


THIS DRAWING IS UNPUBLISHED. RELEASED FOR PUBLICATION 20
 © COPYRIGHT 20 TE CONNECTIVITY ALL RIGHTS RESERVED.

LOC	DIST	REVISIONS					
		P	LTR	DESCRIPTION	DATE	DWN	APVD
-	-	A1		ECR-12-016601	18OCT2012	CW	PY
		A2		ECR-13-013865	04SEP2013	LW	PY
		A3		ECR-14-015468	20OCT2014	LW	PY
		A4		ECR-15-005723	13APR2015	KR	TD



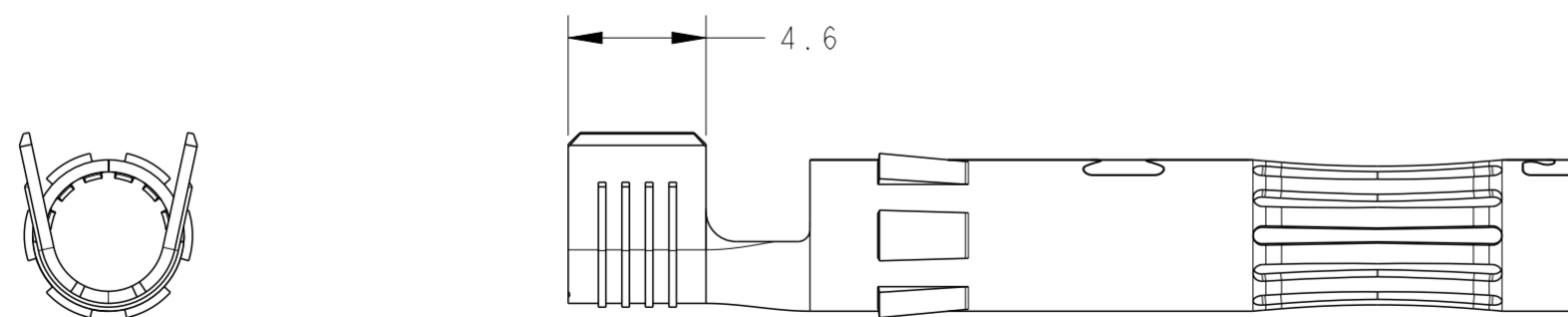
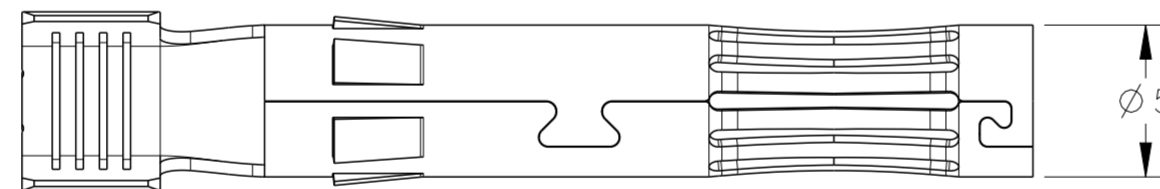
STRIP
-2 AS SHOWN



STRIP CONTACT COME OFF TO ASSEMBLY
 2000 PCS CONTACTS MOUNTED REEL
 REEL TYPE SUBJECT TO ALTERNATION

- 1. MATERIAL: COPPER ALLOY, TIN PLATED
- 2. USED FOR SOLAR CABLE: 4mm²/12AWG, 6mm²/10AWG.

⚠ USE ONLY CRIMPING TOOL OF TE CONNECTIVITY TO CRIMP CONTACT.
 CRIMPING TOOL PN 6-1579014-8 WILL BE USED FOR
 CRIMPING THE CONTACTS HAVING WIRE SIZE 4.0mm²+6.0mm².



LOOSE PIECE
-3 AS SHOWN

LOOSE PIECE	1971858-6	1
	1971858-5	10
	1971858-4	100
	1971858-3	1000
STRIP	1971858-2	2000
CONTACT TYPE	PART NUMBER	PACKING UNIT
FOR ORDER		

THIS DRAWING IS A CONTROLLED DOCUMENT.		DWN CHRIS WANG 09AUG2012	STE TE Connectivity	
DIMENSIONS: mm		CHK TANDY TANG 09AUG2012		
TOLERANCES UNLESS OTHERWISE SPECIFIED:		APVD PETER YIN 09AUG2012	NAME SOCKET CONTACT SOLARLOK PV4 CONNECTOR	
0 PLC ±0.5		PRODUCT SPEC 108-106078	SIZE A2	
1 PLC ±0.3		APPLICATION SPEC 114-106078	CAGE CODE 00779	DRAWING NO 1971858
2 PLC ±		WEIGHT -	RESTRICTED TO -	
3 PLC ±		MATERIAL COPPER ALLOY	SCALE 4:1	
4 PLC ±		FINISH TIN	SHEET 1 OF 1	
ANGLES ±		Customer Drawing		
FINISH		REV A4		