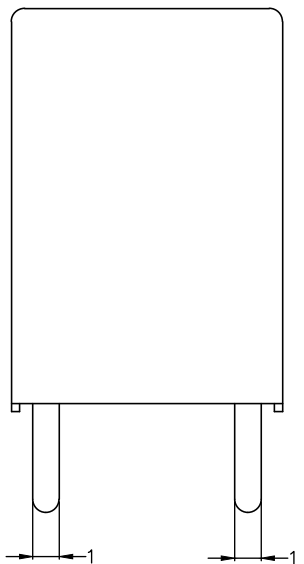
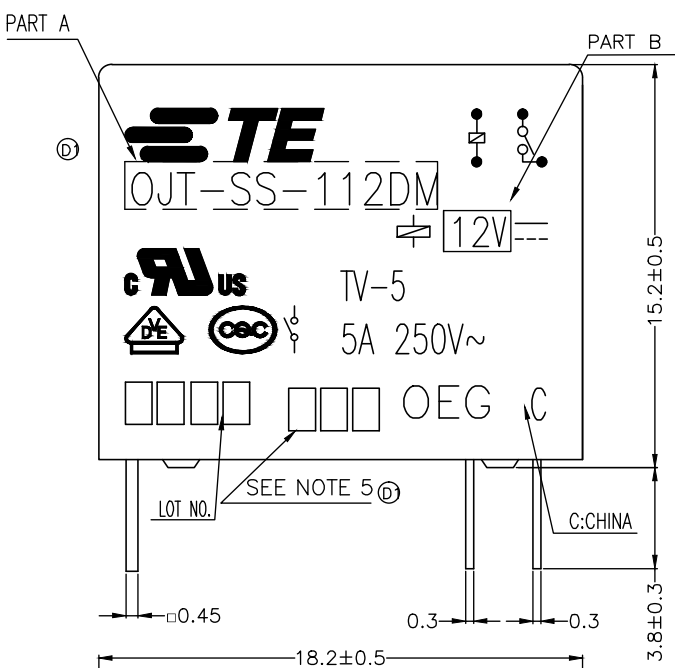
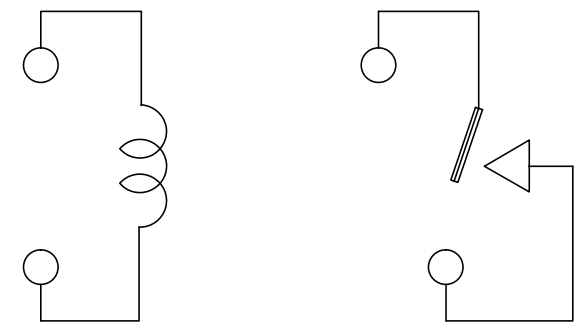
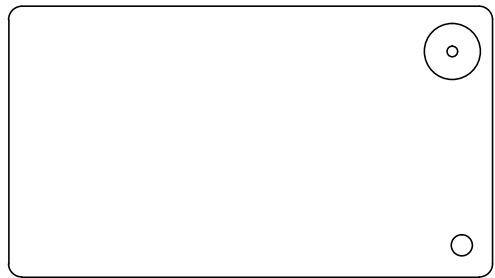


THIS DRAWING IS UNPUBLISHED. RELEASED FOR PUBLICATION
 © COPYRIGHT - By -TE CONNECTIVITY ALL RIGHTS RESERVED.

| LOC | DIST | REVISIONS | | | | |
|-----|------|---|-----------|------|------|--|
| P | LTR | DESCRIPTION | DATE | DWN | APVD | |
| HB | - | | | | | |
| | D1 | CHANGE LOGO&ADD LINE IDENTIFICATION ECO-12-001771 | 21Aug2012 | YS.H | BH.Y | |
| | E | UNIFY THE GROOVE OF GLUE ECO-15-012528 | 21Aug2012 | YS.H | CSM | |



CONNECTION FIGURE

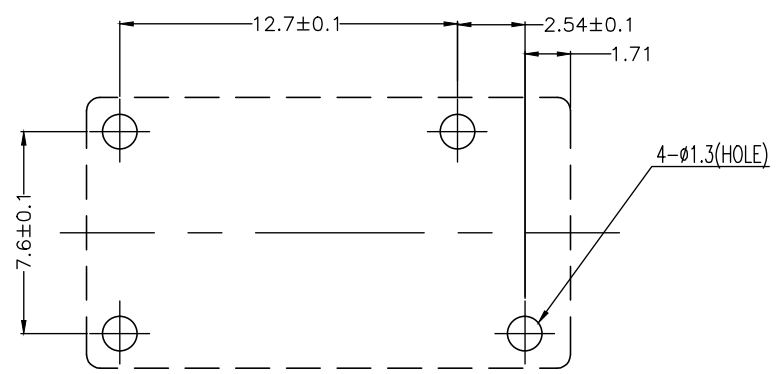
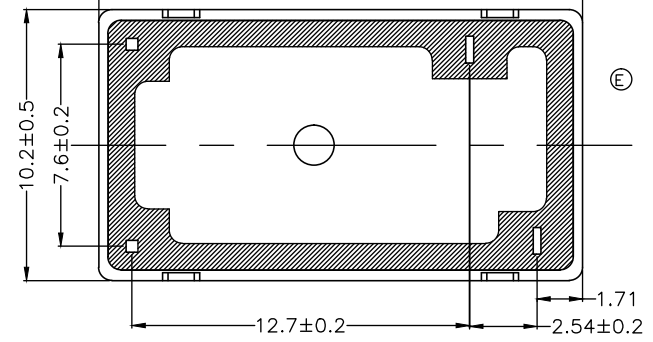


FIGURE FOR PRINTED CIRCUIT BOARD PROCESSING (BOTTOM VIEW)

| Diagram dimension | Tolerance |
|-------------------|-----------|
| 0.99mm max. | ±0.1mm |
| 1 - 2.99mm | ±0.2mm |
| 3mm min. | ±0.3mm |



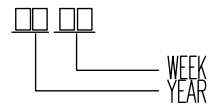
| | | | | | |
|---|---|--------------------|----------------|---------------|--|
| THIS DRAWING IS A CONTROLLED DOCUMENT. | | DWN | Fu,Bo | - | TE Connectivity OJT-S*-1**DM,000 CUSTOMER DRAWING |
| DIMENSIONS: mm | | CHK | Zhang,XN | - | |
| TOLERANCES UNLESS OTHERWISE SPECIFIED: | | APVD | Yang,Wen | - | |
| 0 PLC ± - 1 PLC ± - 2 PLC ± - 3 PLC ± - 4 PLC ± - ANGLES ± - FINISH ± - | | PRODUCT SPEC | SEE SPEC TABLE | | |
| MATERIAL | - | APPLICATION SPEC | - | | NAME |
| | | WEIGHT | - | | SIZE |
| | | CUSTOMER DRAWING | | SCALE | 5:1 |
| | | A3 00779 ©=1461116 | | SHEET | 1 OF 2 |
| | | | | RESTRICTED TO | - |
| | | | | REV | E |

THIS DRAWING IS UNPUBLISHED. RELEASED FOR PUBLICATION
 © COPYRIGHT - By -TE CONNECTIVITY ALL RIGHTS RESERVED.

| | | | | | | | |
|-----|------|-----------|-----|-------------|------|-----|------|
| LOC | DIST | REVISIONS | | | | | |
| HB | - | P | LTR | DESCRIPTION | DATE | DWN | APVD |
| | | - | | SEE SHEET 1 | - | - | - |

| | | | | |
|-------------|--------------|--------|--------------|------|
| 1-1461116-6 | QJT-SH-148DM | 48V | QJT-SH-148DM | P |
| 1-1461116-5 | QJT-SH-124DM | 24V | QJT-SH-124DM | o |
| 1-1461116-4 | QJT-SH-118DM | 18V | QJT-SH-118DM | n |
| 1461116-1 | QJT-SH-112DM | 12V | QJT-SH-112DM | m |
| 1-1461116-2 | QJT-SH-109DM | 9V | QJT-SH-109DM | l |
| 1-1461116-1 | QJT-SH-106DM | 6V | QJT-SH-106DM | k |
| 1-1461116-0 | QJT-SH-105DM | 5V | QJT-SH-105DM | j |
| 1461116-9 | QJT-SH-103DM | 3V | QJT-SH-103DM | i |
| 1461116-8 | QJT-SS-148DM | 48V | QJT-SS-148DM | h |
| 1461116-7 | QJT-SS-124DM | 24V | QJT-SS-124DM | g |
| 1461116-6 | QJT-SS-118DM | 18V | QJT-SS-118DM | f |
| 1-1461116-3 | QJT-SS-112DM | 12V | QJT-SS-112DM | e |
| 1461116-5 | QJT-SS-109DM | 9V | QJT-SS-109DM | d |
| 1461116-4 | QJT-SS-106DM | 6V | QJT-SS-106DM | c |
| 1461116-3 | QJT-SS-105DM | 5V | QJT-SS-105DM | b |
| 1461116-2 | QJT-SS-103DM | 3V | QJT-SS-103DM | a |
| TE PART NO | TE TYPE NAME | PART B | PART A | TYPE |

① NOTES:
 1.LOT NO. SYSTEM AS FOLLOWING:



- ② 2.TERMINAL DIMENSION IS BEFORE SOLDER DIP;
- ③ 3.FOR THE TIN-PLATING OF THE PINS:
 +0.1mm FOR WIDTH,THICKENSS AND DIAMETER.
 +0.5mm FOR LENGTH.
- ④ 4.MARKING FROM INK TO LASER.

- RELAY TYPE
- ⑤ 5.ADD LOT NO. SYSTEM AS FOLLOWING;
- I, DIGITS FOR DAY OF THE WEEK
 1...MONDAY IN THIS WEEK;
 2...TUESDAY IN THIS WEEK;

 7...SUNDAY IN THIS WEEK
 - II, DIGITS FOR SHIFT OF THE DAY
 1...DAY SHIFT IN THIS DAY;
 2...NIGHT SHIFT IN THIS DAY;
 - III, ONE CHARACTER DISTINGUISH THE LINE IDENTITY, SUCH AS: A,B.....Z



| | | | | |
|------------------|--------------|-------------|----------------------|------|
| | | UV RESIN | SEAL (VENT HOLE) | 16 |
| | | EPOXY RESIN | SEAL (BASE & BOBBIN) | 15 |
| | | 3UEW | MAGNETIC WIRE | 14 |
| 94V-0 | | P.B.T | CASE | 13 |
| 94V-0 | | P.B.T | BASE | 12 |
| 94V-0 | | P.B.T | BOBBIN | 11 |
| | SOLDER DIP | C.P WIRE | COIL TERMINAL | 10 |
| 94V-0 | | P.B.T | CARD | 9 |
| | | Ag ALLOY | MOVABLE CONTACT | 8 |
| | | Ag ALLOY | NO.CONTACT | 7 |
| | | STEEL | HINGE SPRING | 6 |
| | SOLDER DIP | PBP | NO.TERMINAL | 5 |
| | SOLDER DIP | Cu ALLOY | MOVABLE SPRING | 4 |
| | Cu-Ni PLATED | STEEL | CORE | 3 |
| | Cu-Ni PLATED | STEEL | ARMATURE | 2 |
| | Cu-Ni PLATED | STEEL | YOKE | 1 |
| INCOMBUSTIBILITY | TREATMENT | MATERIAL | DESCRIPTION | ITEM |

| | | | | |
|--|-----------|------------------|-----------------------------------|------------|
| THIS DRAWING IS A CONTROLLED DOCUMENT. | | DWN | Fu,Bo | - |
| DIMENSIONS: mm | | CHK | Zhang,XN | - |
| TOLERANCES UNLESS OTHERWISE SPECIFIED: | | APVD | Yang,Wen | - |
| | 0 PLC ± - | PRODUCT SPEC | NAME | |
| | 1 PLC ± - | SEE SPEC TABLE | OJT-S*-1**DM,000 CUSTOMER DRAWING | |
| | 2 PLC ± - | APPLICATION SPEC | - | |
| | 3 PLC ± - | | - | |
| 4 PLC ± - | | SIZE | CAGE CODE | DRAWING NO |
| ANGLES ± - | | A3 | 00779 | ©=1461116 |
| MATERIAL | FINISH | WEIGHT | RESTRICTED TO | |
| - | - | - | - | |
| CUSTOMER DRAWING | | | SCALE | SHEET |
| | | | 5:1 | 2 OF 2 |
| | | | REV | E |