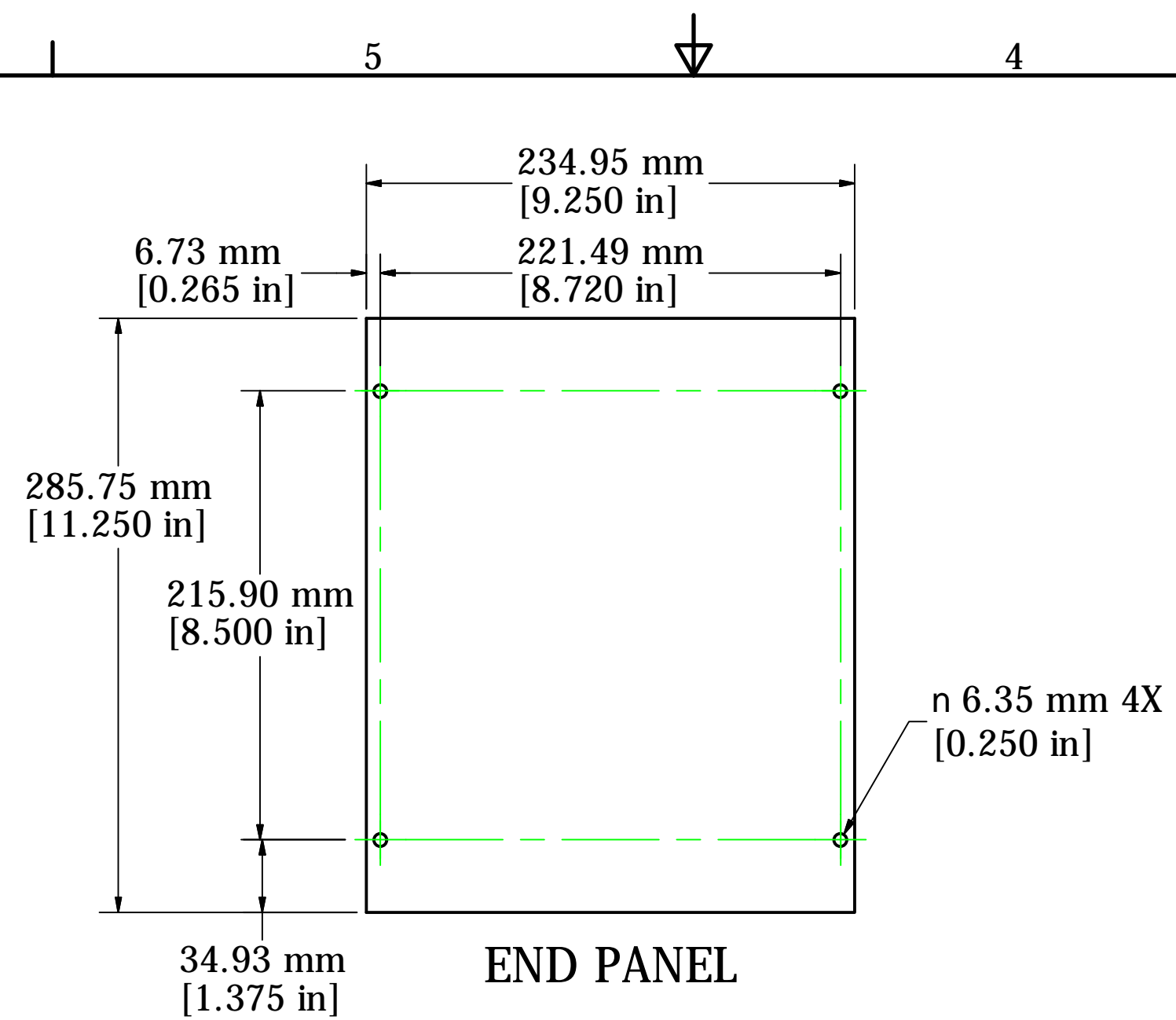
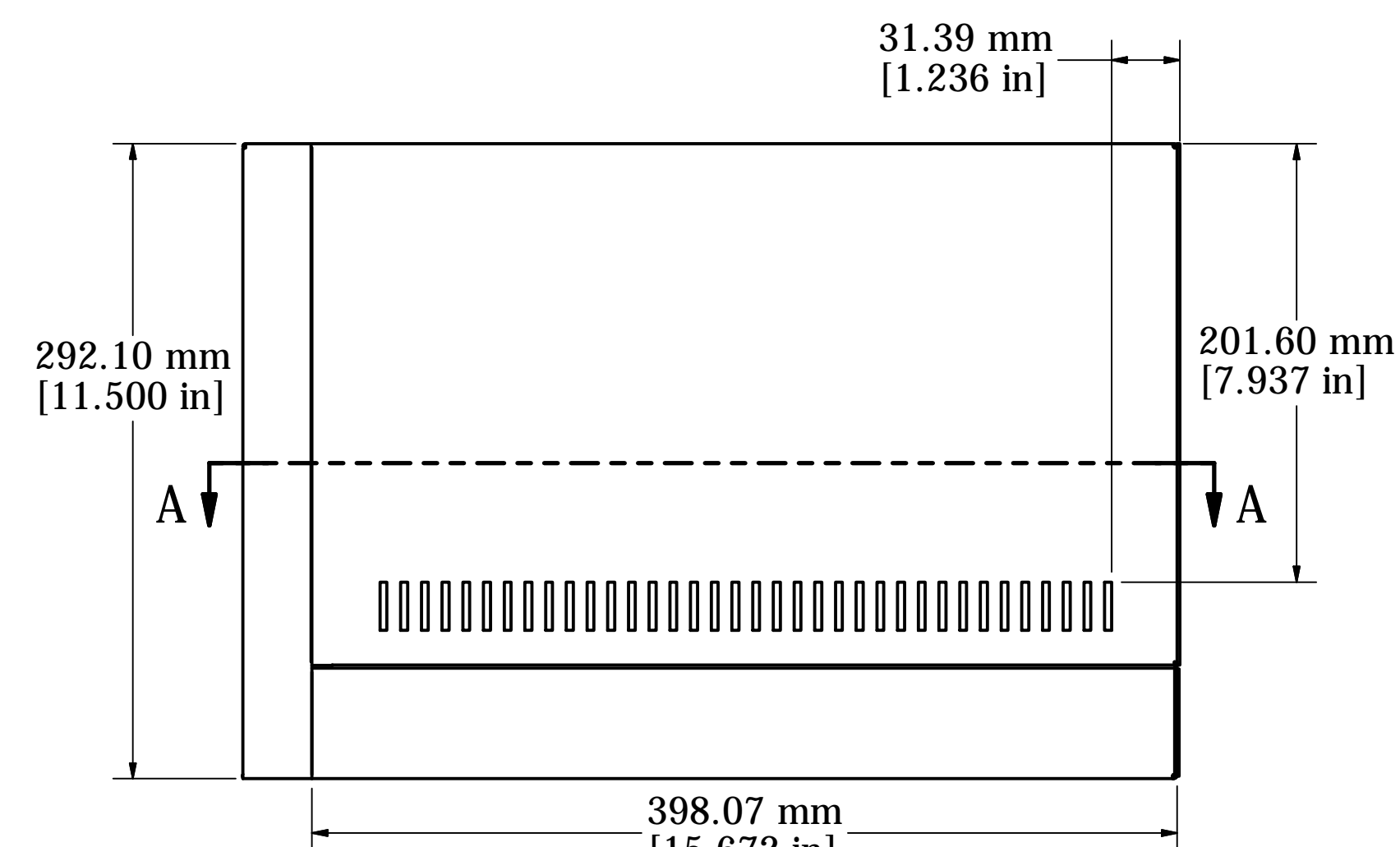


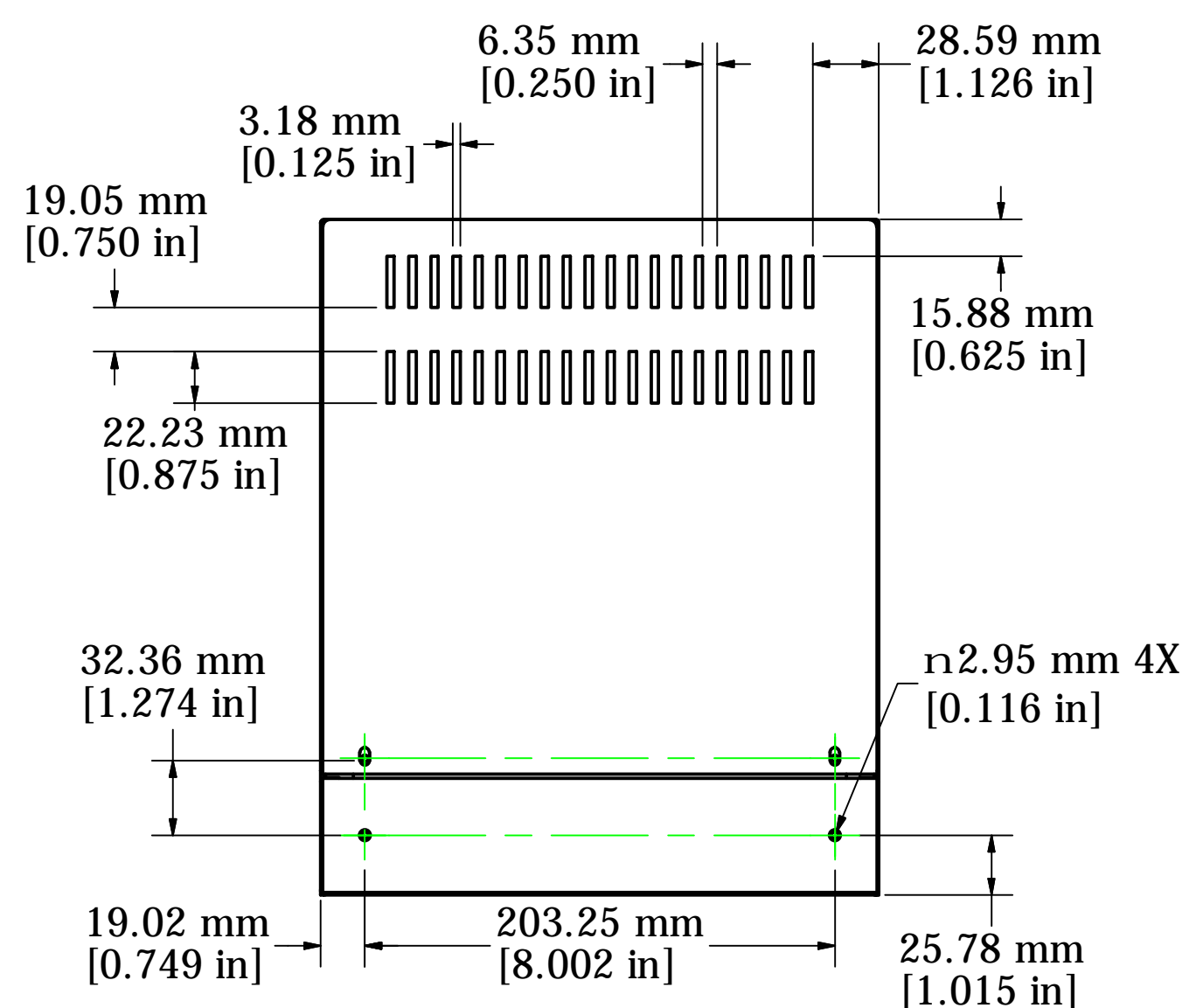
TOP OF ASSEMBLY



END PANEL



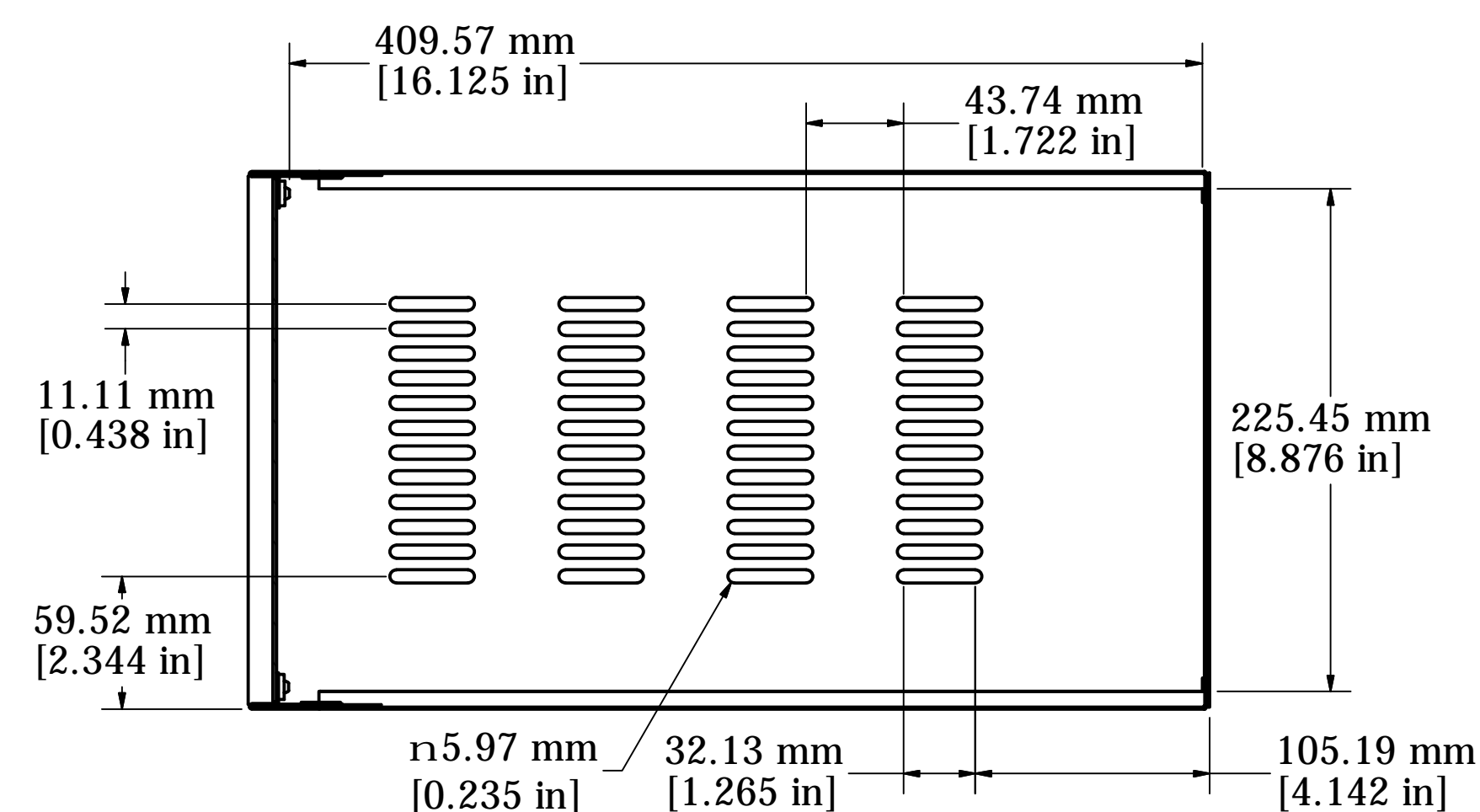
SIDE OF ASSEMBLY



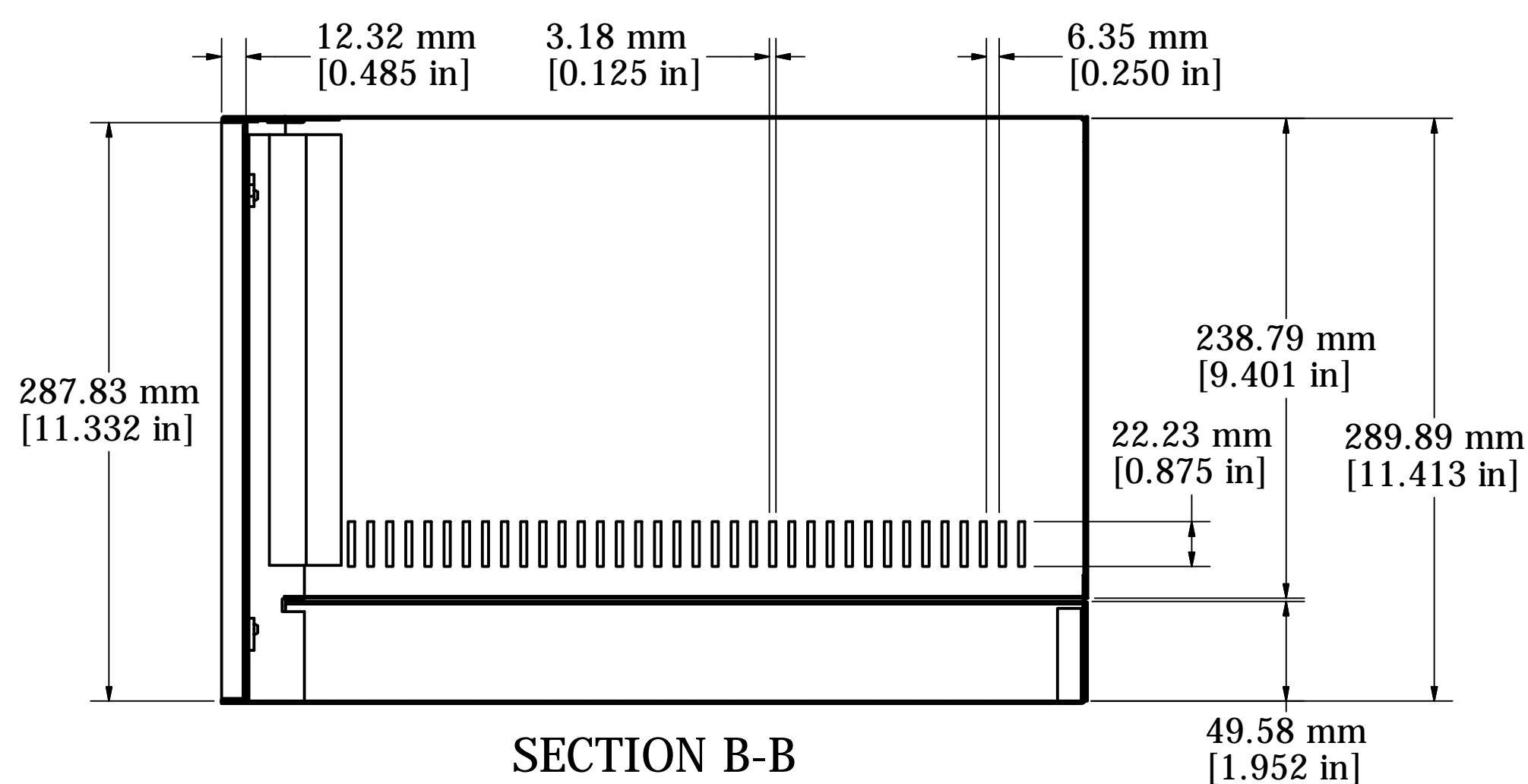
END OF ASSEMBLY

Note:

Enclosures can be Factory Modified (Milling, Drilling, Printing etc.)
 Contact Factory mjm@hammondmfg.com for quotes
 Solid models of this enclosure available in STEP or IGES Format.

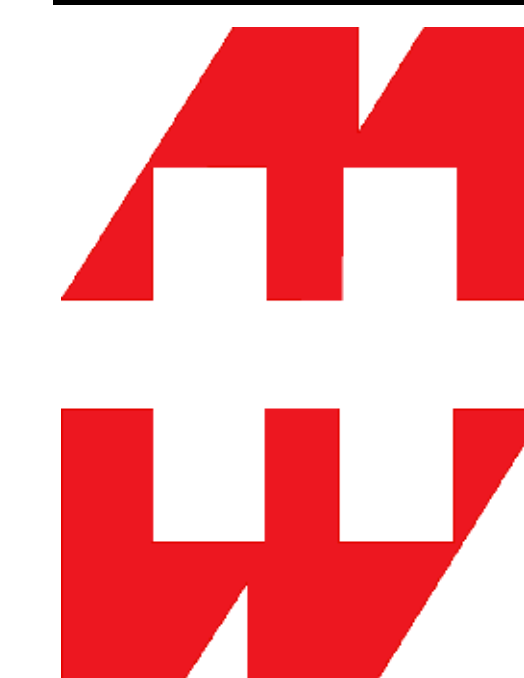


SECTION A-A
INSIDE OF ASSEMBLY (VIEW OF BOTTOM)



SECTION B-B
INSIDE OF ASSEMBLY (VIEW OF SIDE)

1452DE11
Material: 18ga. Steel base and frame, Gray color
Cover: Heavy duty 20 ga. Steel vented for cooling
Screws: 4 Supplied (#6-32 X 1/4" self tap)
End Panel: 0.064" (1.6mm) thick Aluminum, Black color
End Panel Screws: 4 supplied (#8-32 X 1/2" self tap)



**HAMMOND
MANUFACTURING™**

1452FH17

www.hammondmfg.com