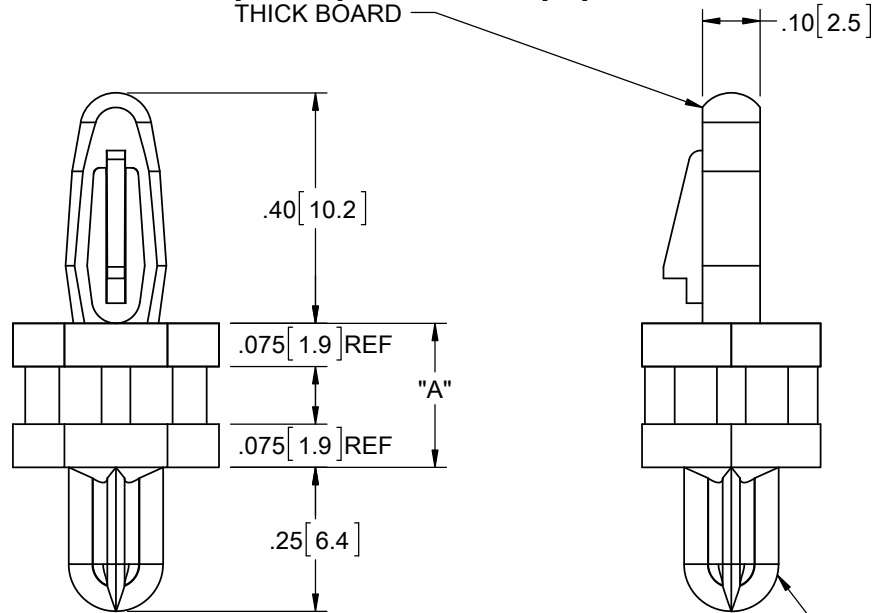
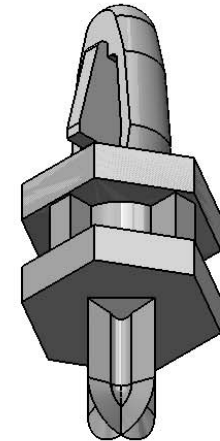
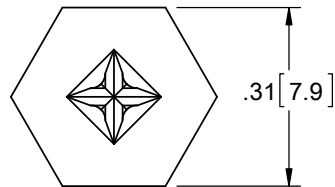


TO SNAP-LOCK IN A \varnothing .156 \pm .003
[3.96 \pm .08] HOLE, IN A .062 [1.6]
THICK BOARD



TO SELF THREAD INTO A
#8 OR M4 THREADED
HOLE, WITH .063 [1.6]
MINIMUM ENGAGEMENT



P/N		"A" \pm .010
NYLON 6/6 UL 94 V-2 (RMS-01)	NYLON 6/6 UL 94 V-0 (RMS-19)	
SCBSST-4-01	SCBSST-4-19	.250 [6.4]
SCBSST-6-01	SCBSST-6-19	.375 [9.5]
SCBSST-8-01	SCBSST-8-19	.500 [12.7]
SCBSST-10-01	SCBSST-10-19	.625 [15.9]
SCBSST-12-01	SCBSST-12-19	.750 [19.1]
SCBSST-14-01	SCBSST-14-19	.875 [22.2]
SCBSST-16-01	SCBSST-16-19	1.000 [25.4]
SCBSST-18-01	SCBSST-18-19	1.125 [28.6]
SCBSST-22.5-01	SCBSST-22.5-19	1.406 [35.7]

NOTES:

1. MATERIAL: SEE TABLE
2. COLOR: NATURAL
3. PART IS DESIGNED IN INCHES. [METRIC]
CONVERSIONS ARE FOR REFERENCE ONLY

B	CORRECTED TYPO. SEE CO 200741	SK	12/14/11
A	RELEASED FOR PRODUCTION	SK	11/09/11
REV.	DESCRIPTION	ENGR.	DATE

TITLE: SCBS SELF THREADING					UNITS = INCH	
CREATED USING SOLIDWORKS	FILE #: SCBSST	DWN: D.Z.	APP: DZ	FINAL		
TOLERANCES UNLESS NOTED .XX= \pm .010 .XXX= \pm .005 FRAC.= \pm 1/64 ANG.= \pm 1°	SHEET: 1 OF 1	SHEET SIZE: A	DT: 11/04/2011	CHKD: SK	PART #	PRINT TYPE
RE: RICHCO INC. --		RICHCO, INC. WWW.RICHCO-INC.COM		SEE TABLE		CA