

NOTES:

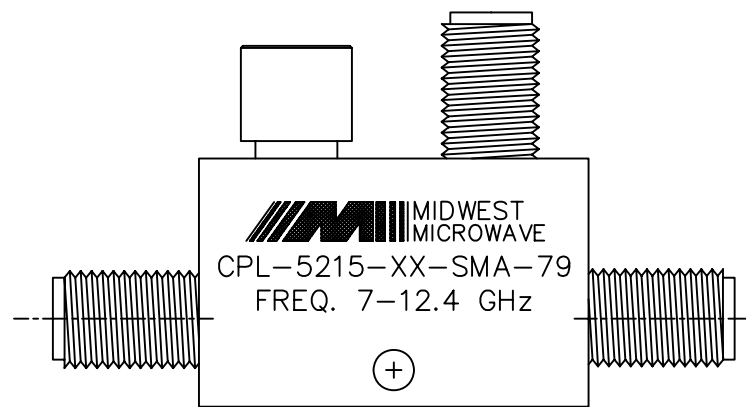
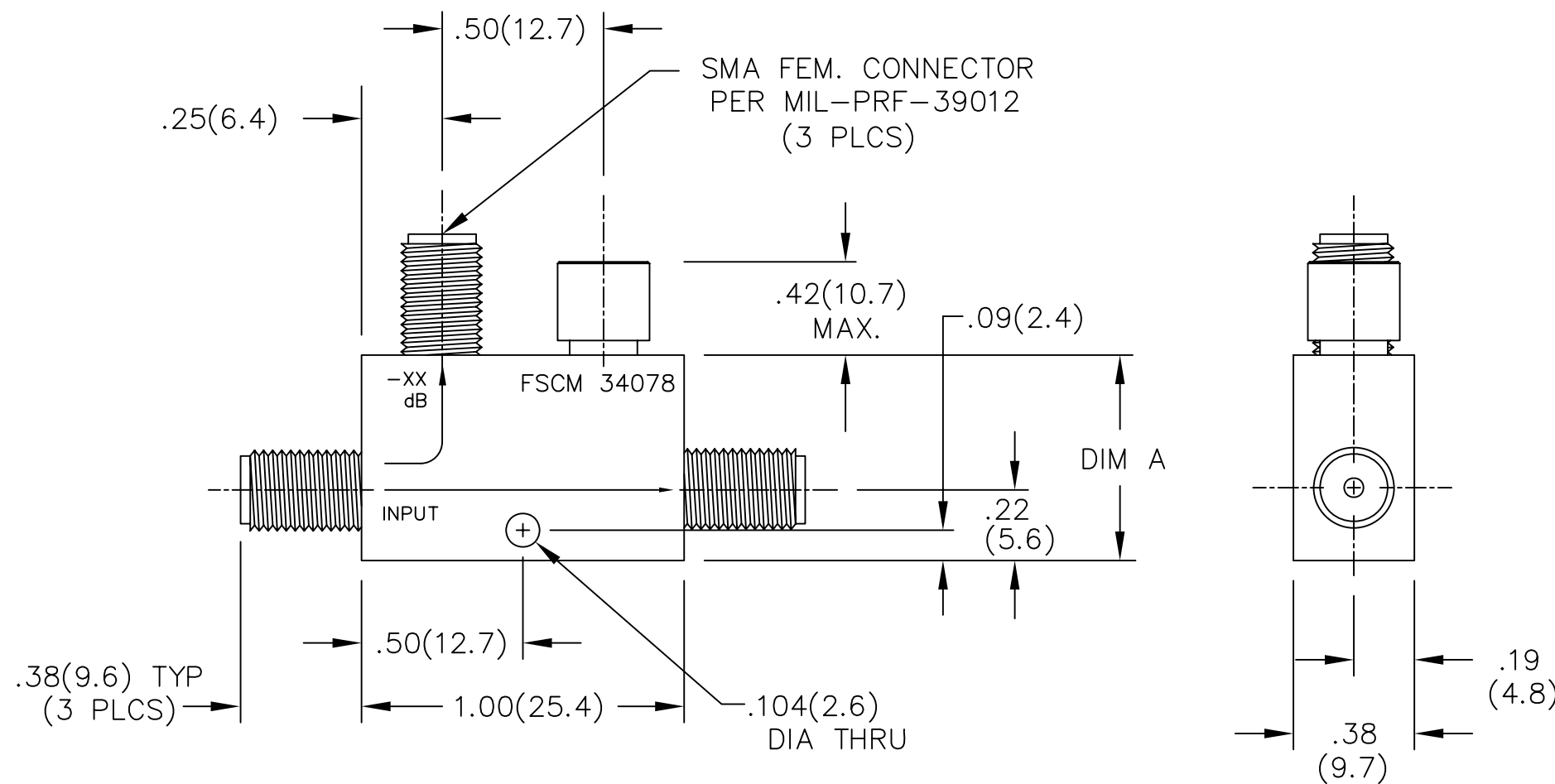
1.0 ELECTRICAL SPECIFICATIONS:

- 1.1 FREQUENCY RANGE: 7.0 to 12.4 GHz
- 1.2 FREQ. SENSITIVITY: SEE TABLE
- 1.3 COUPLING: SEE TABLE
- 1.4 VSWR (MAX): 1.35:1
- 1.5 INSERTION LOSS (EXC. COUPLED POWER): SEE TABLE
- 1.6 DIRECTIVITY: 17dB MIN
- 1.7 POWER: SEE TABLE
- 1.8 RF IMPEDANCE: 50 OHMS

2.0 FINISHING:

- 2.1 GREY OVER MIL-E-15090 TYPE II, CLASS 2 OVER MIL-C-5541 CLASS 3A MEETS MIL-F-14072 MEETS MIL-E-5400 AND MIL-E-16400V.
- 2.2 MARK UNIT AS SHOWN. REF: SLK-09341-82-[20 THRU 23]

3.0 DIMENSIONS IN PARENTHESIS ARE IN MILLIMETERS.



BACKSIDE MARKING

MODEL NUMBER
CPL-5215-XX-SMA-79
REV.
A2

CPL-5215-30-SMA-79	.63(15.9)	30dB	±0.50dB	0.30	50	50	4,000	0.67 (19.0)
CPL-5215-20-SMA-79	.50(12.7)	20dB	±0.50dB	0.30	50	50	4,000	0.60 (17.0)
CPL-5215-10-SMA-79	.50(12.7)	10dB	±0.50dB	0.40	50	10	4,000	0.60 (17.0)
CPL-5215-06-SMA-79	.50(12.7)	6dB	±0.40dB	0.40	50	4	4,000	0.60 (17.0)
CPL-5215-XX-SMA-79	DIM A	-XX ±1.0dB	FREQ. SENSITIVITY	INSERTION LOSS	INPUT POWER (WATTS)	REF. PEAK	Oz (GRAMS)	WEIGHT

UNLESS OTHERWISE NOTED DIMENSIONS ARE IN INCHES AND TOLERANCES ARE: 3 PLACE DECIMALS ±.005 2 PLACE DECIMALS ±.02 FRACTIONS ±1/64 PARALLELITY: T.I.R. _____ FLATNESS: T.I.R. _____ CONCENTRICITY: T.I.R. _____ ANGLES AND PERPENDICULARITY: ±1°	FSCM NO. 34078		MIDWEST MICROWAVE	
	NOTICE: The information contained in this drawing is proprietary and must not be used without the permission of Midwest Microwave			TITLE DIRECTIONAL COUPLER
	DRAWN/DATE A.BEATTY 2/15/91	ENG./DATE P.GOODMAN 4/11/91	DRAWING NUMBER CPL-5215-XX-SMA-79	
	CHECKED/DATE A.CATALANO 4/11/91	APPROVED/DATE	SCALE: 2=1	SHEET 1 of 1

REV.	DESCRIPTION	DATE
-	RELEASED	4/12/91
A	ECN 10901	8/27/91
A1	CORRECT MISPELLED WORD	1/6/92
A2	ADDED TITLEBLOCK	4/20/05