



PRODUCT DATASHEET

Lena series

last update 23/2/2014

DETAILS

Product Number	CN13106_LENA-W
Family	Lena
Type	RefPack
Color	metal
Diameter	111 mm
Height	84,6 mm
Style	round
Optic Material	
Holder Material	
Fastening	socket, screw
Status	production ready
ROHS Compliant	Yes
Date Updated	23/02/2014

OPTICAL PROPERTIES

LED	Viewing Angle	Light Beam	Efficiency	cd/lm	Connector
Soleriq E30	49 deg	Wide	82 %	1.400	-

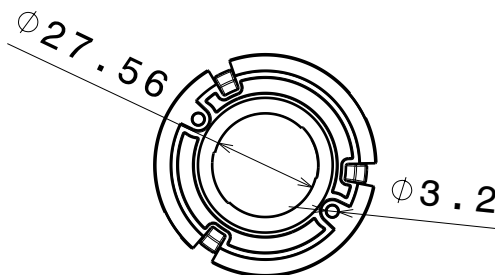
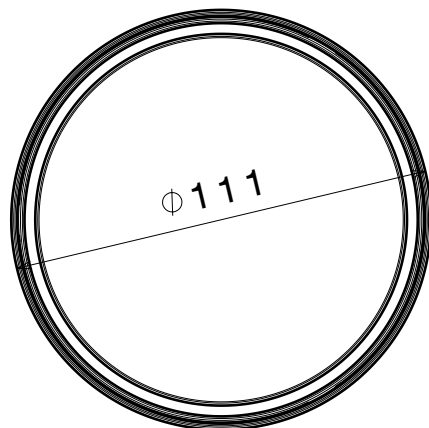
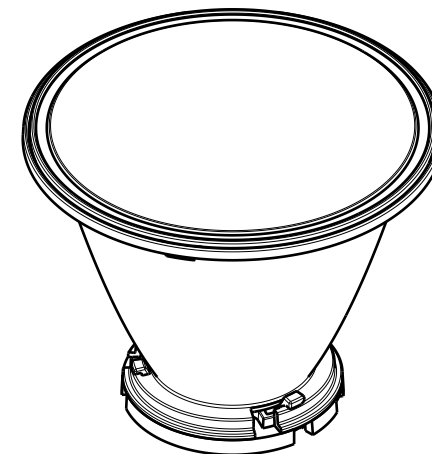
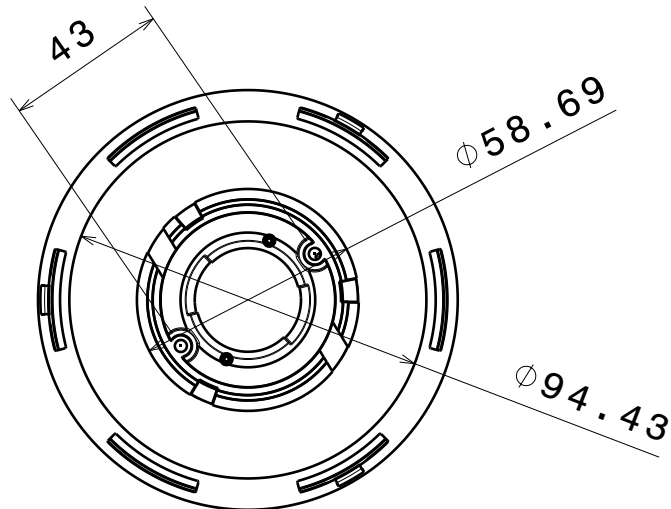
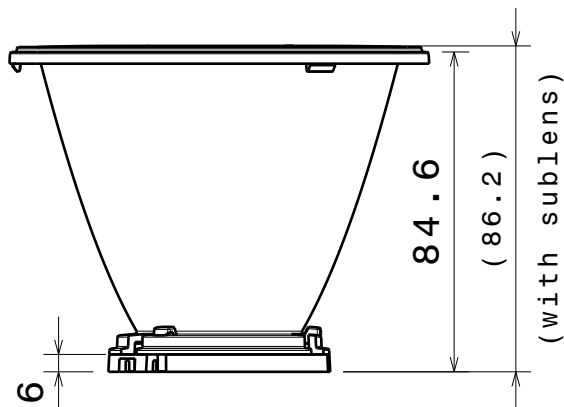


D

C

B

A



Material:

subLens
- PC

Reflector
- PC
- Metal coating and clear lacquer

Holder base
- PC
- Color white

This drawing is our property.
It can't be reproduced
or communicated without
our written agreement.



Ledil Oy
Salorankatu 10
FIN 24240 SALO
Finland

DRAWING TITLE

LENA-SOLERIQ-E30 Mechanical drawing

DRAWN BY

as

DATE

24.07.2012

CHECKED BY

sn

DATE

3.8.2012

DESIGNED BY

as/pl

DATE

23.07.2012

SIZE

A4

PART NUMBER

REV

001

SCALE

1:2

WEIGHT

SHEET

1/1

D

A

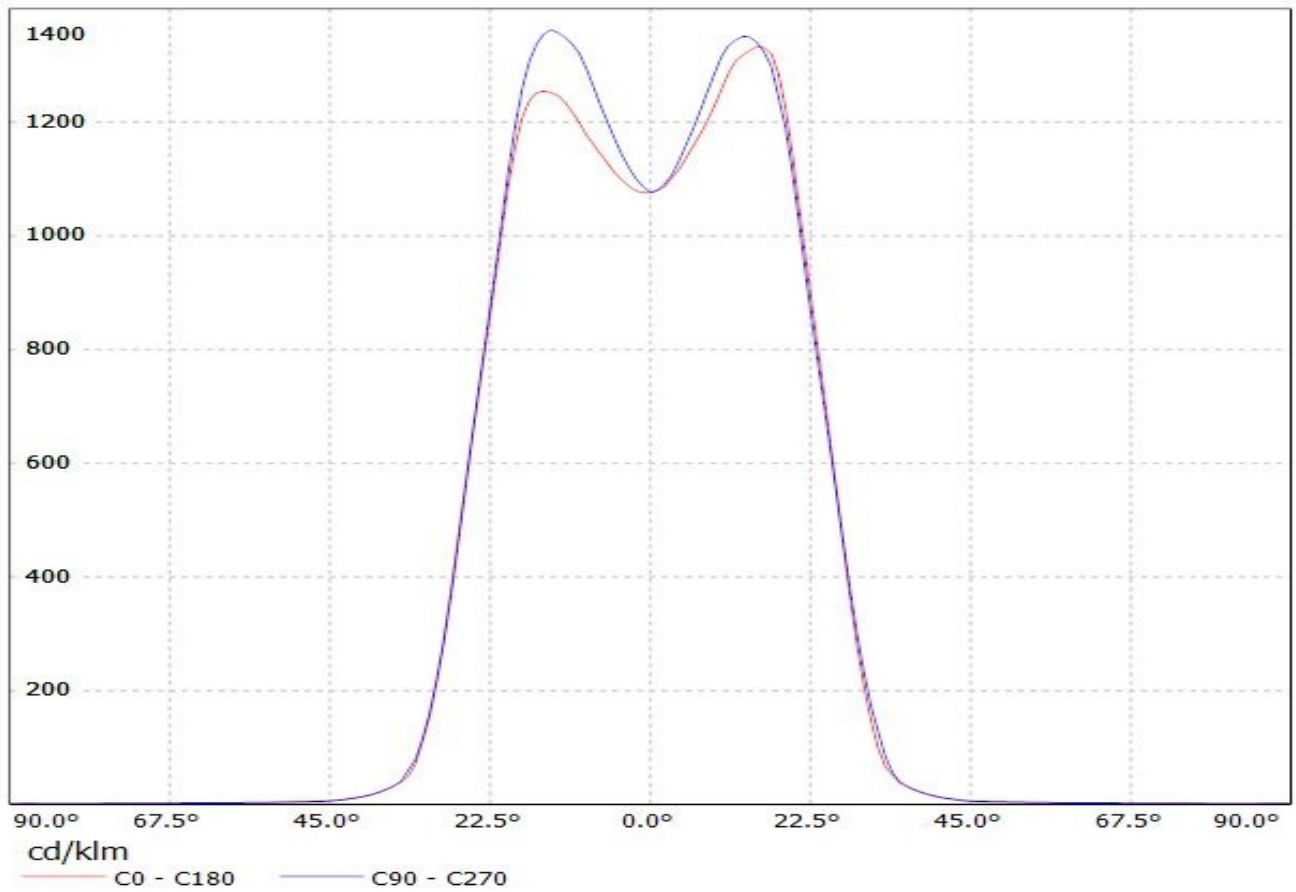
4

3

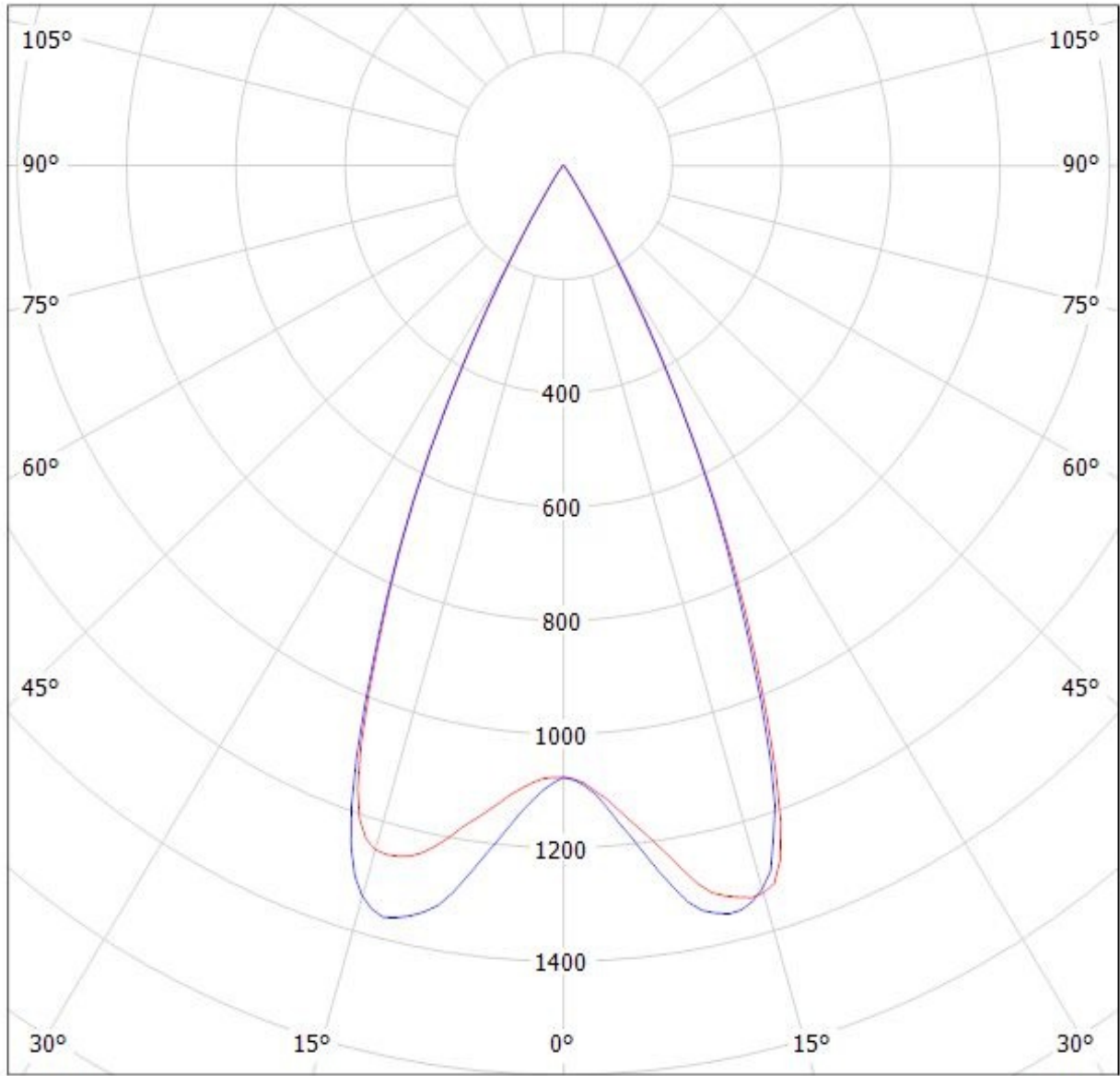
2

1

Luminaire: LEDiL Oy CN13106_LENA-W_(Soleriq_E30) Eff.82%
Lamps: 1 x Osram Soleriq E30 (1240lm@250mA)



Luminaire: LEDiL Oy CN13106_LENA-W_(Soleriq_E30) Eff.82%
Lamps: 1 x Osram Soleriq E30 (1240lm@250mA)



cd/klm
— C0 - C180 — C90 - C270

NOTE: The typical divergence will be changed by different color, chip size and chip position tolerance. The typical total divergence is the full angle measured where the luminous intensity is half of the peak value.

GENERAL INFORMATION

- Product series especially designed & optimized for series of LEDs.
- Special care taken to make light distribution as uniform as possible.

Note! Due to use of high power COB's with this product, special attention to proper thermal design is highly recommended. LEDiL has no liability for direct, indirect or consecutive damages arising from the LEDiL products being used outside of the recommended temperature range.