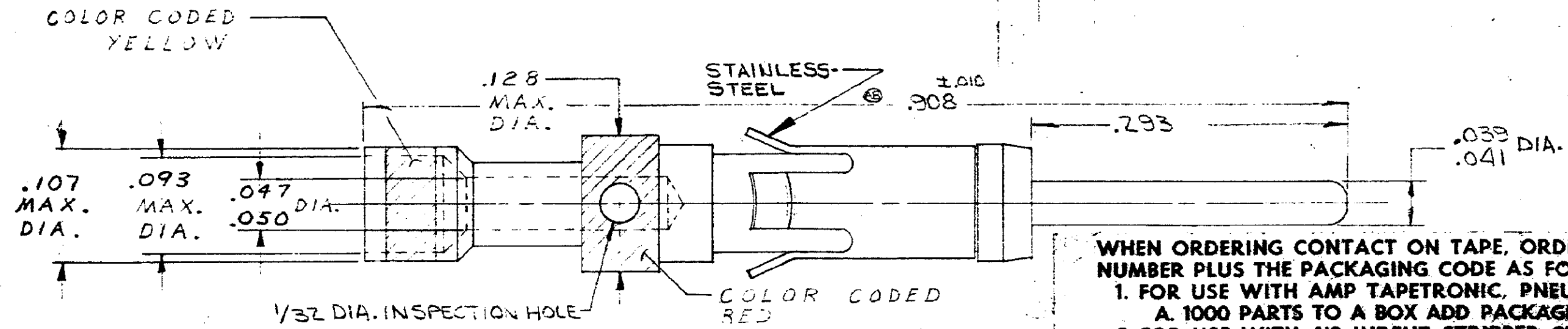


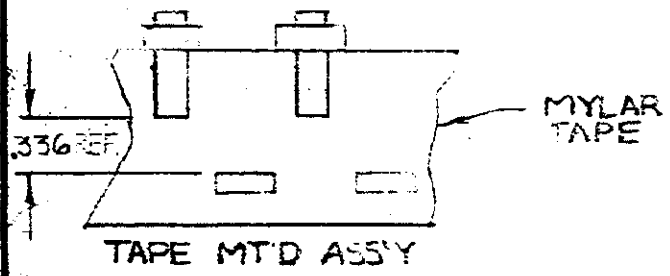
NUMBER 200334

© 1959 BY AMP INCORPORATED. ALL RIGHTS RESERVED. AMP PRODUCTS COVERED BY PATENTS AND/OR PATENTS PENDING.

REVISIONS				
SYM	ZONE	DESCRIPTION	DATE	APPROVAL
AJ		OBSCLETE -4-5-6 PER ECN BD 3038	10-11-89	J.L.
AK		OBSCLETE -9-1-0 PER ECN PLS-16	1-14-92	RW



WHEN ORDERING CONTACT ON TAPE, ORDER BY THE TAPE NUMBER PLUS THE PACKAGING CODE AS FOLLOWS:
 1. FOR USE WITH AMP TAPETRONIC, PNEUMATIC TOOL -
 A. 1000 PARTS TO A BOX ADD PACKAGING CODE IMBOX
 2. FOR USE WITH 4/8 INDENT STRIPPER CRIMPER -
 A. 1000 PARTS TO A REEL ADD PACKAGING CODE IMR
 B. 5000 PARTS TO A REEL ADD PACKAGING CODE IMR



NOTE - PLATING THICKNESS TO BE MEASURED ON SURFACES ACCESSIBLE WITH 1/4 INCH DIAMETER SPHERE.

OBSCLETE	1-200334-1	COPPER ALLOY-.0005 GOLD OVER .00030 NICKEL	1-200334-2	OBSCLETE
OBSCLETE	200334-3	COPPER ALLOY-.0005 GOLD OVER .00030 NICKEL		
OBSCLETE	200334-6	COPPER ALLOY-.00100 MIN GOLD OVER .00050 MIN NICKEL		
OBSCLETE	200334-5	COPPER ALLOY-.00015 MIN GOLD OVER .00050 MIN NICKEL	1-200334-0	OBSCLETE
OBSCLETE	200334-4	COPPER ALLOY-.0001 MIN GOLD OVER .0001 MIN SILVER		STAINLESS STEEL
OBSCLETE	200334-3	COPPER ALLOY-.00009 GOLD OVER .00003 NICKEL		
OBSCLETE	200334-2	COPPER ALLOY-.0001 SILVER OVER .00003 NICKEL	200334-9	OBSCLETE
	200334-1	COPPER ALLOY-.00003 MIN GOLD OVER .00005 MIN NICKEL	200334-8	OBSCLETE
	ASS'Y. NO.	BODY	TAPE MTD ASS'Y NO	RETAINER

QTY REQD	DESCRIPTION	REVISIONS	LIST OF MATERIALS OR PARTS LIST		
			UNLESS OTHERWISE SPECIFIED DIMENSIONS ARE IN INCHES TOLERANCES ON FRACTIONS DECIMALS ANGLES ± 1/64 ± .015 ± 1°	SIGNATURE	DATE
			SEE TABLE	<i>M. Smith</i>	7-3-63
			HEAT TREAT	CHK	7-9-63
			FINISH	DSGN ENGR	7-4-63
			SEE TABLE	APP	7-24-63
				DSGN APPD	
				OTHER APPD	
			AMP INFO	CODE IDENT NO	SIZE
M 7	LOC BD	PRINT D-39		00779	B
				NUMBER	200334
				SCALE	CALC ACTUAL SHEET 1 OF 1



AMP INCORPORATED
HARRISBURG, PENNSYLVANIA

20 CONTACT PIN
TYPE II
WIRE SIZE 20 TO 24