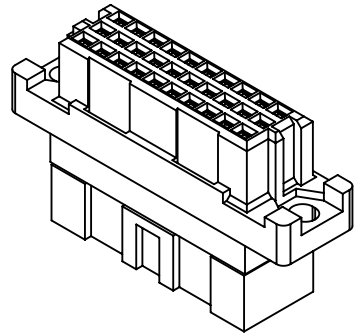
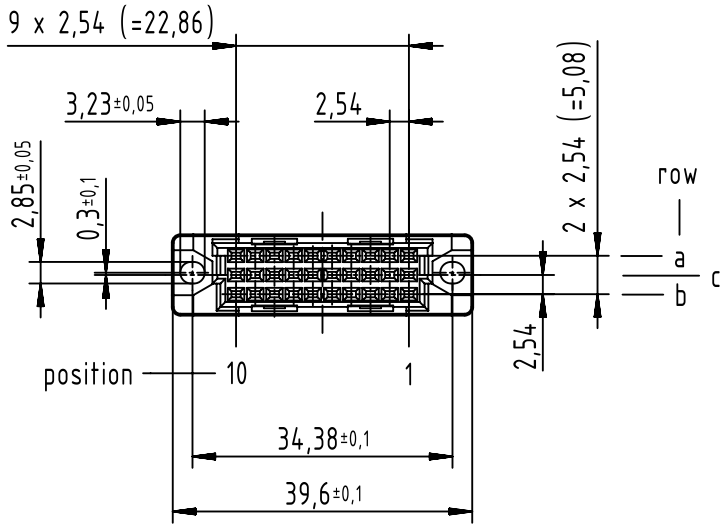
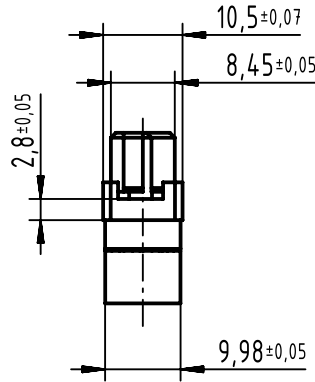
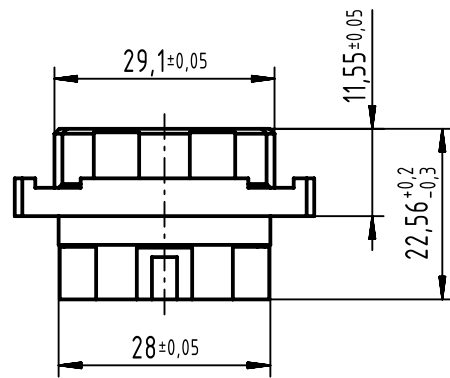


A


B

C

D



further information see: DS 09032100801

	All rights reserved Department EC PD - DE	All Dimensions in mm Original Size DIN A4			Scale 1:1	Free size tol. complementary IEC 60603-2	Ref. Sub. TB 09 25 030 3214 Mod. 36502 28.03.2012	
		Created by HAGEMEYERE	Inspected by TADJE	Standardisation HOFFMANN	Date 2014-01-07	State Final Release	Title DIN Signal type 3C female crimp	
HARTING Electronics GmbH D-32339 Espelkamp		Type TB	Number 09250303214			Rev. B	Page 1/1	