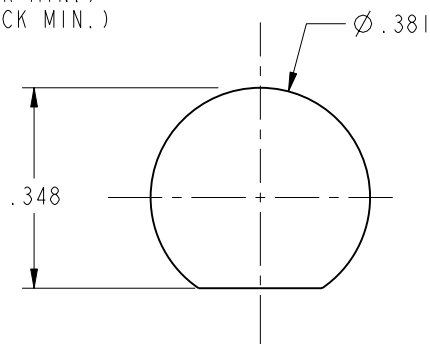


NOTES:

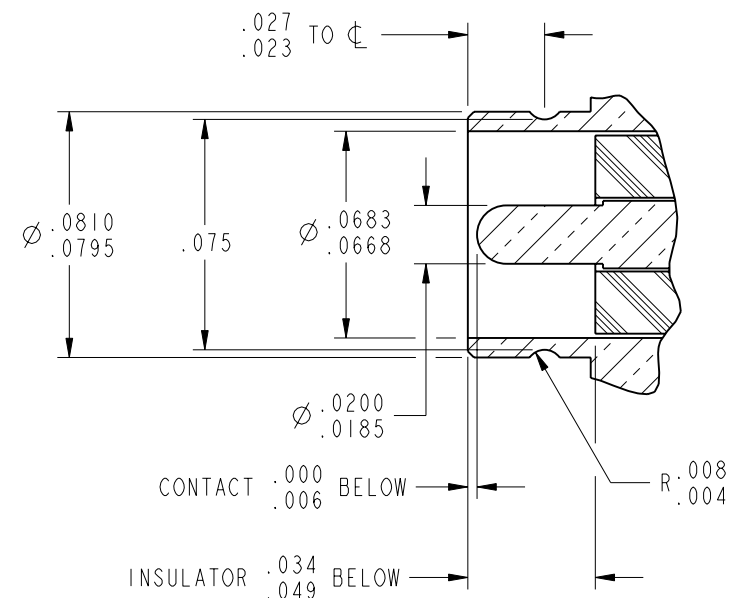
1. MATERIALS AND FINISHES:
 BODY - BRASS (ASTM-B16 HO2, C36000), NICKEL PLATING (.00008 THICK MIN.)
 CONTACT - BRASS (ASTM-B16 HO2, C36000), GOLD PLATING (.00003 THICK MIN.)
 INSULATOR - PTFE PER ASTM D 1710 OR EQUIV
2. ELECTRICAL:
 A. IMPEDANCE: 50 OHM
 B. FREQUENCY RANGE: DC - 3 GHz
3. MECHANICAL:
 A. DURABILITY: TNC, 500 CYCLES MIN.
 AMC, 30 CYCLES MIN.
 B. TEMPERATURE RANGE: -40° C TO 90° C
 C. RECOMMENDED HEX NUT TIGHTENING TORQUE:
 25 IN-LB MIN, 35 IN-LB MAX
4. PACKAGING:
 A. QUANTITY: SINGLE PACK
 B. MARKING: BAG TO BE MARKED
 "AMPHENOL, 31-6109, AND DATE CODE"

31-6109		REVISIONS			
DRAWING NO.	REV	DESCRIPTION	DATE	ECO	APPR
THIRD ANGLE PROJ.	A	RELEASE TO MFG	5/21/03	44443	CPM
	B	DESCRIPTION WAS U.FL	6/15/06	46096	CPM

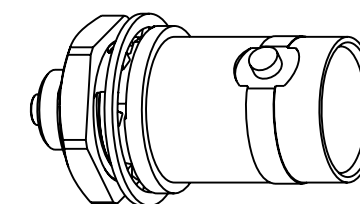


RECOMMENDED MOUNTING HOLE

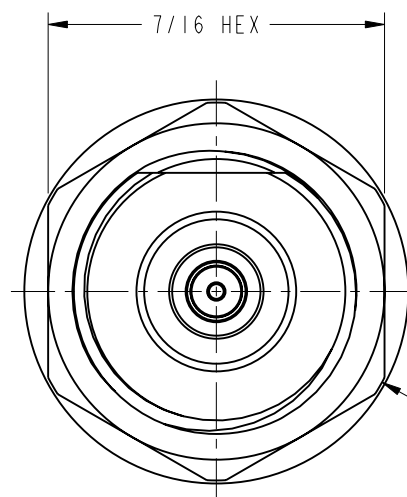
SCALE 3.000



AMC INTERFACE DIMENSIONS



SCALE 2.000

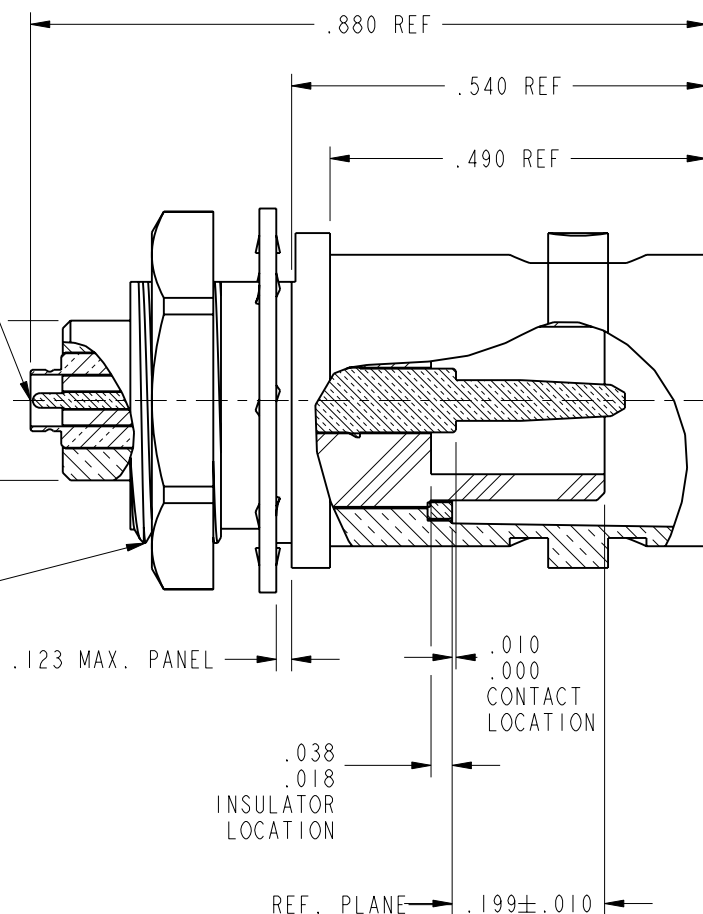


Ø .492

.375-32UNEF-2A THREAD

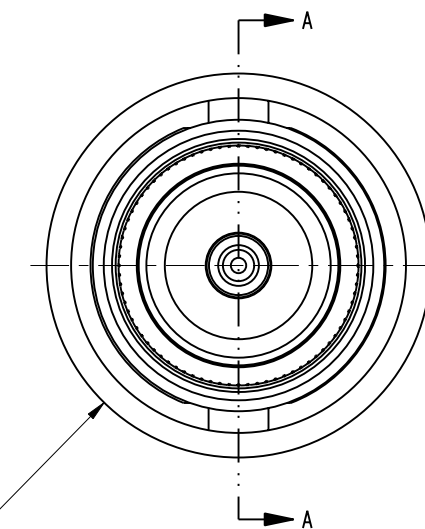
AMC INTERFACE

Ø .208 REF



BNC REVERSE POLARITY JACK INTERFACE
SHORT INSULATOR VERSION
NOT AMPHENOL STANDARD

SECTION A-A



Ø .500 REF

CUSTOMER OUTLINE DRAWING

ALL OTHER SHEETS ARE FOR INTERNAL USE ONLY

UNLESS OTHERWISE SPECIFIED, DIMENSIONS ARE IN INCHES AND TOLERANCES ARE:
 2 PLACE DECIMAL 3 PLACE DECIMAL ANGLES
 ±.015 (0,381 mm) ±.005 (0,127 mm) ± 1°

NOTICE - These drawings, specifications, or other data (1) are, and remain the property of Amphenol Corp. (2) must be returned upon request; and (3) are confidential and not to be disclosed to any person other than those to whom they are given by Amphenol Corp. The furnishing of these drawings, specifications, or other data by Amphenol Corp., or to any other person to anyone for any purpose is not to be regarded by implication or otherwise in any manner licensing, granting rights or permitting such holder or any other person to manufacture, use or sell any product, process or design, patented or otherwise, that may in any way be related to or disclosed by said drawings, specifications, or other data.

MATERIAL	DRAWN	DATE	TITLE
	C. McGRATH	4/22/03	AMC TO BNC REVERSE POLARITY JACK BULKHEAD ADAPTER
REFERENCE	ENGINEER	DATE	
EAR# 860.1 GEN# ASSYMI_UFL 611X-4119	O. BARTHELMS	4/22/03	
	APPROVED	DATE	
	O. BARTHELMS	5/21/03	
	CAD FILE	CODE ID	DWG SIZE
	I:\AMC\31-6109	74868	B

DRAWING NO.	REV	DESCRIPTION	DATE	ECO	APPR
THIRD ANGLE PROJ.	A	RELEASE TO MFG	5/21/03	44443	CPM
	B	DESCRIPTION WAS U.FL	6/15/06	46096	CPM

DRAWING NO.	REV	DESCRIPTION	DATE	ECO	APPR
31-6109	B	DESCRIPTION WAS U.FL	6/15/06	46096	CPM

Amphenol RF	
Danbury, CT, USA Tainan, Taiwan Shenzhen, China www.amphenolrf.com	
SCALE: 4.0:1	SHEET 2 OF 2
DRAWING NO.	REV
31-6109	B