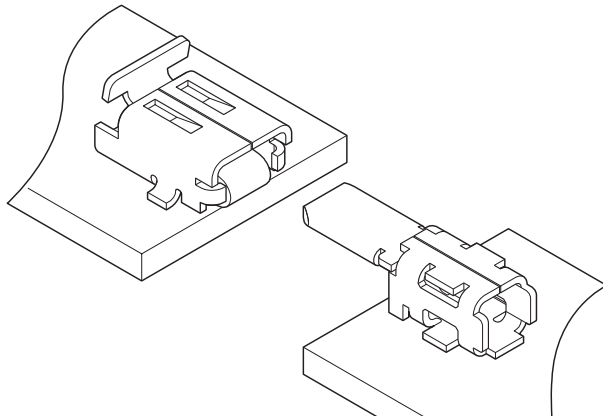


LEK CONNECTOR

Board-to-board connectors



This LEK connector is board-to-board connector that does not use the housing and has a positive lock. This enables to absorb misalignment when mating connector.

- Secure locking structure
- Absorbing misalignment

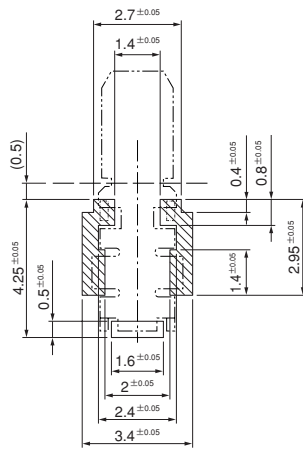
Specifications

- Current rating: 3 A AC, DC
- Temperature range: -55°C to +85°C
(including temperature rise in applying electrical current)
- Contact resistance: Initial value/ 20 mΩ max.
After environmental tests/ 30 mΩ max.

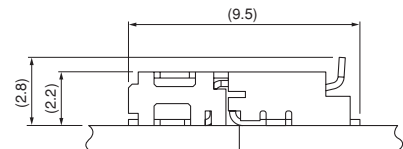
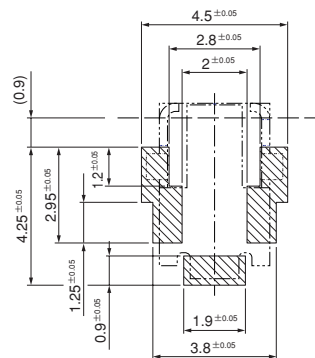
- * Refer to "General Instruction and Notice when using Terminals and Connectors" at the end of this catalog.
- * Contact JST for details.
- * Compliant with RoHS.

PC board layout and Assembly layout

Plug



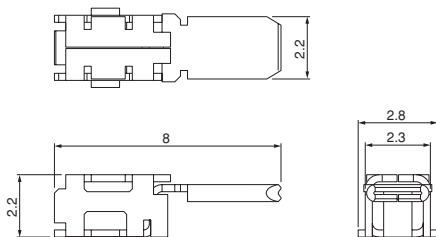
Receptacle



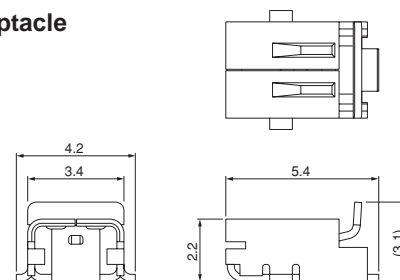
- Note: 1. The above figure is the figure viewed from the connector mounting side.
2. Tolerances are non-cumulative: ±0.05 mm for all centers.
3. The dimensions above should serve as a guideline. Contact JST for details.

Connector

Plug



Receptacle



Model No.	Q'ty/reel
LEK-01PS-2RPT	4,500
Material and Finish	
Phosphor bronze, tin-plated	

Model No.	Q'ty/reel
LEK-01RS-2RPT	3,500
Material and Finish	
Phosphor bronze, tin-plated	

RoHS compliance

RoHS compliance