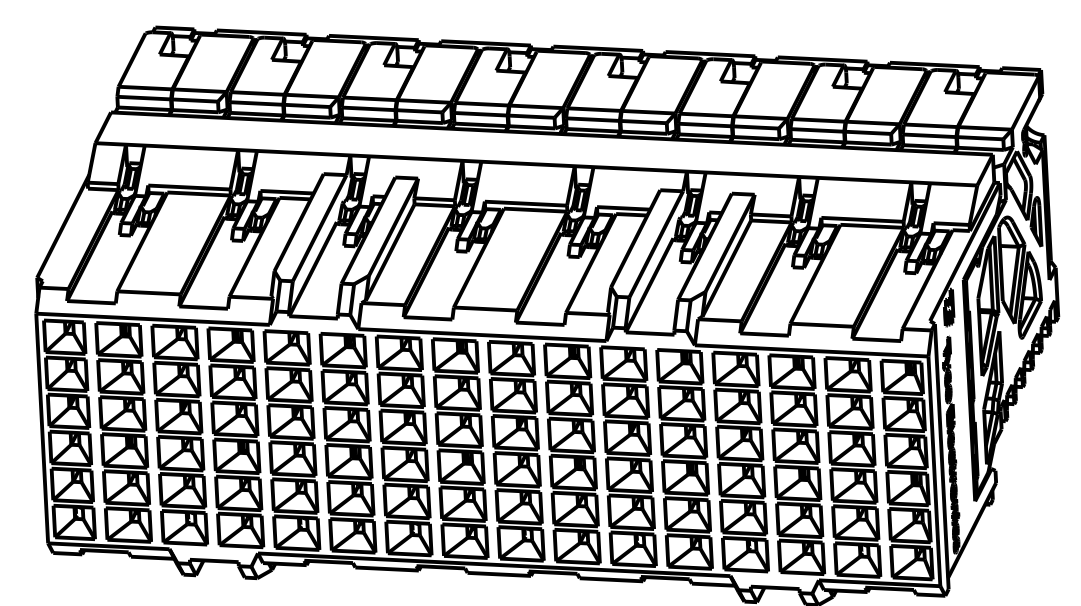
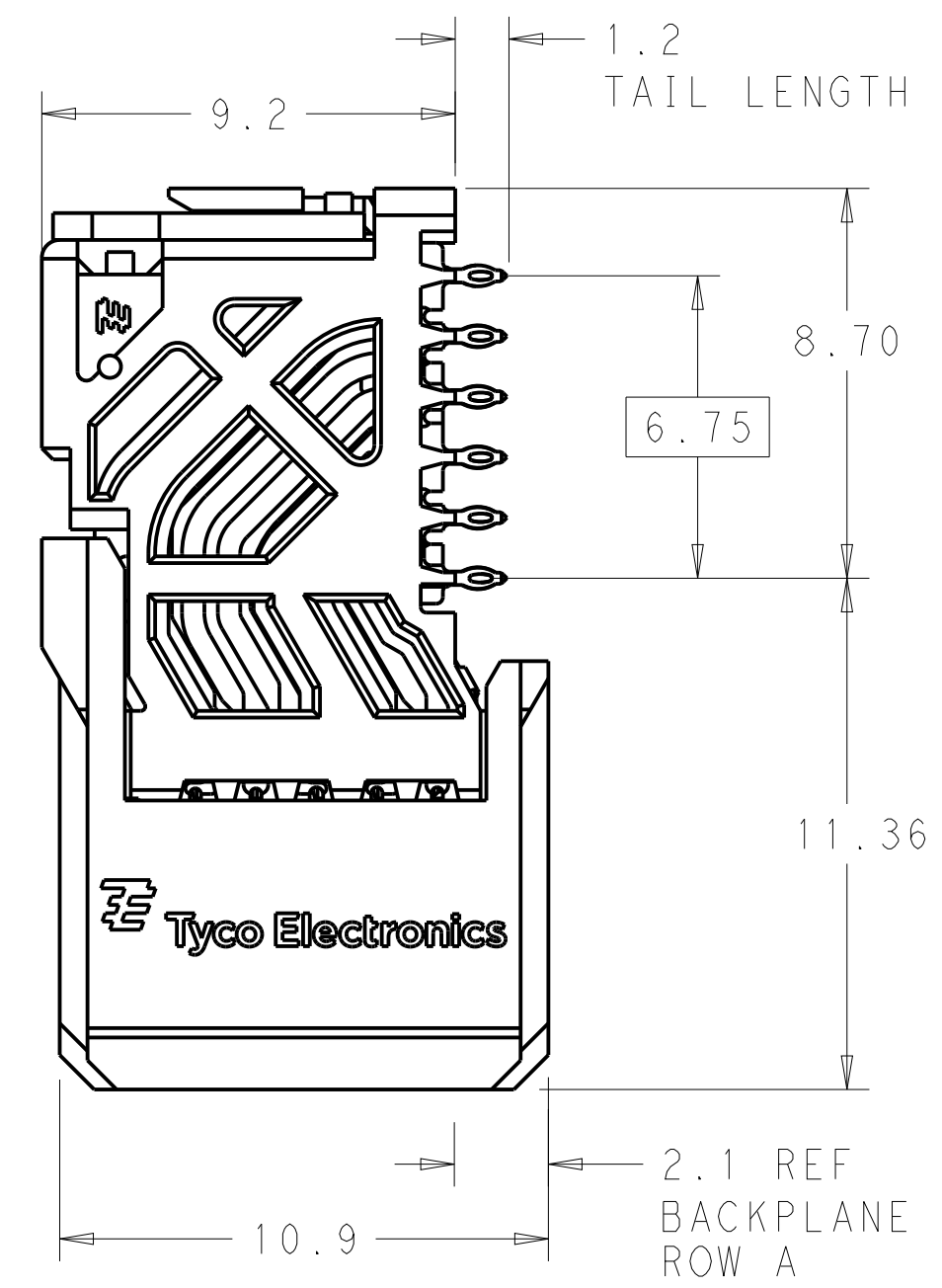
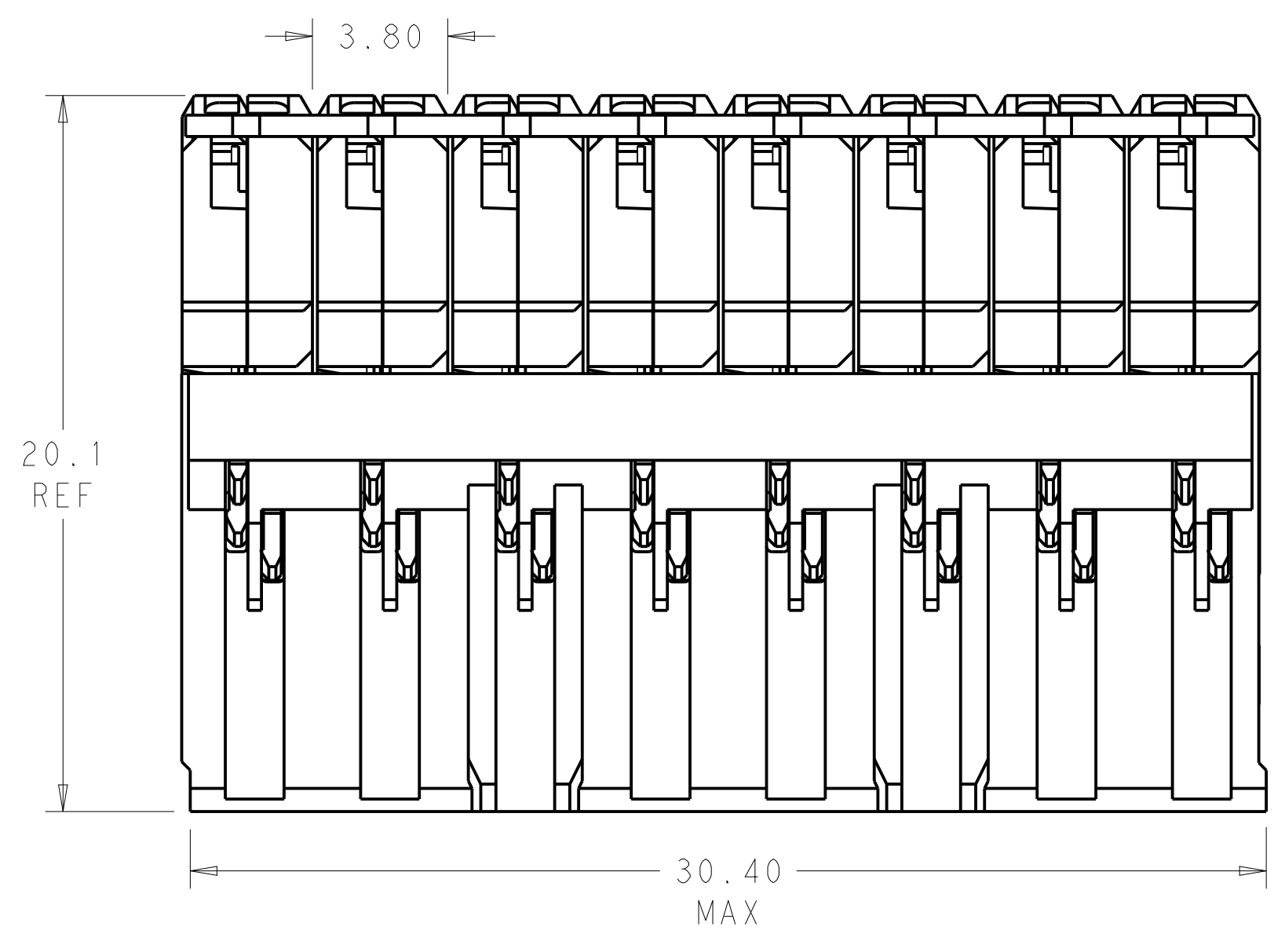


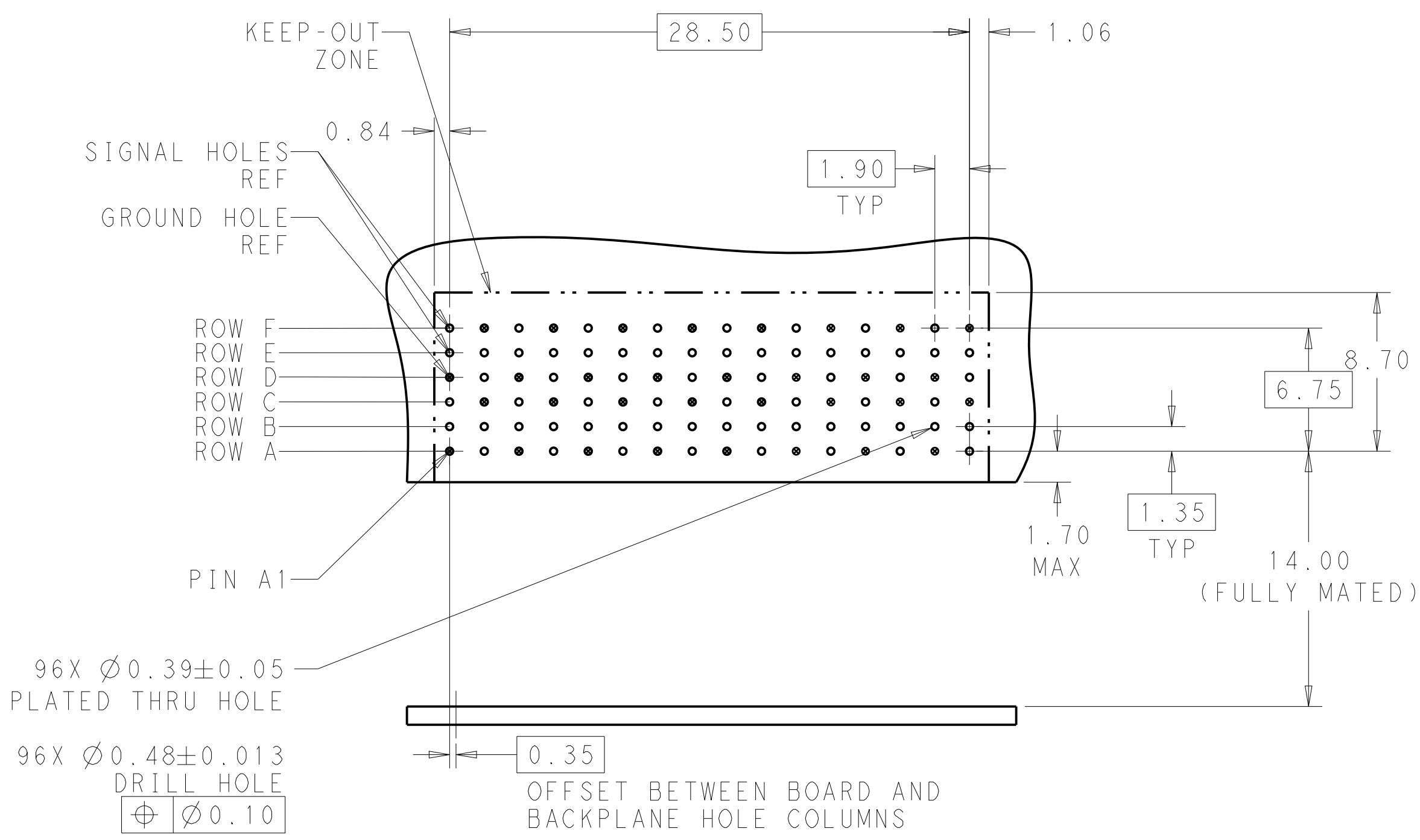
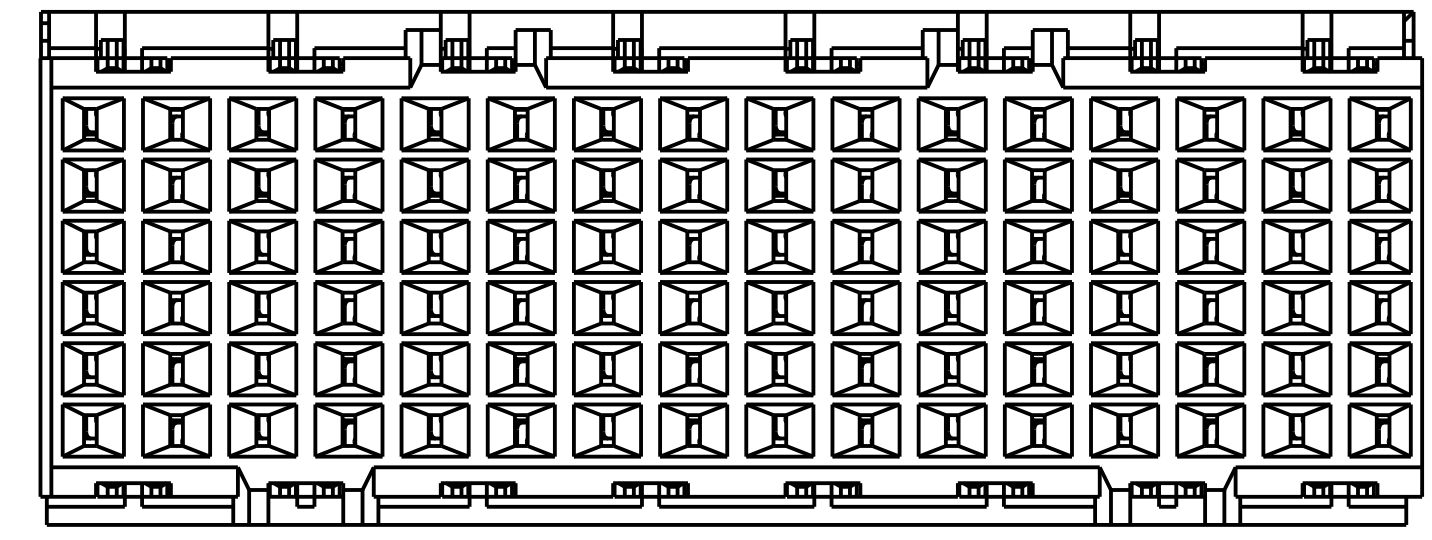
REVISIONS				
P.	LTN	DESCRIPTION	DATE	APVD
C1		REVISED PER ECO-14-017984	02DEC2014	AP DD

⚠ MATERIAL:
HOUSING: LCP, GLASS FILLED, UL94V-0.
TERMINALS: HIGH PERFORMANCE COPPER ALLOY.

⚠ FINISH:
30µ" SELECTIVE GOLD IN CONTACT AREA. SELECTIVE TIN ON PCB TAILS, NICKEL OVERALL.



SCALE 4:1



RECOMMENDED PCB LAYOUT
MIN BOARD THICKNESS 1.6

NONE	⚠	2057411-1
KEY POSITION	FINISH	PART NUMBER

THIS DRAWING IS A CONTROLLED DOCUMENT.		DWN Z. MILLER 19AUG2010	TE Connectivity NAME IMPACT, STD, R/A, 2 PAIR, 16 COLUMN, DAUGHTERCARD, UNGUIDED SIGNAL MODULE, 0.39 EYELET SIZE CAGE CODE DRAWING NO A100779C=2057411 RESTRICTED TO Customer Drawing
DIMENSIONS:		CHK D. DIXON 19AUG2010	
TOLERANCES UNLESS OTHERWISE SPECIFIED:		APVD D. DIXON 19AUG2010	
mm		PRODUCT SPEC	
0 PLC ± 1 PLC ±0.2 2 PLC ±0.10 3 PLC ± 4 PLC ± ANGLES ±		APPLICATION SPEC	
MATERIAL		WEIGHT	SCALE 6:1 SHEET 1 OF 1 REV C1
SEE TABLE			