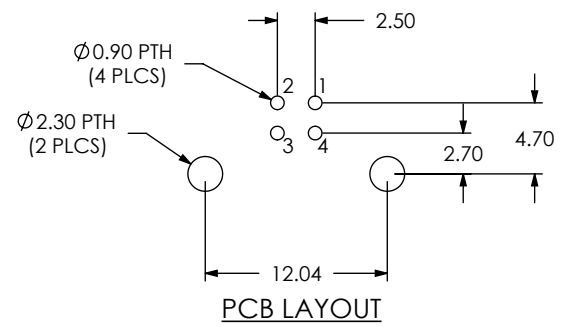


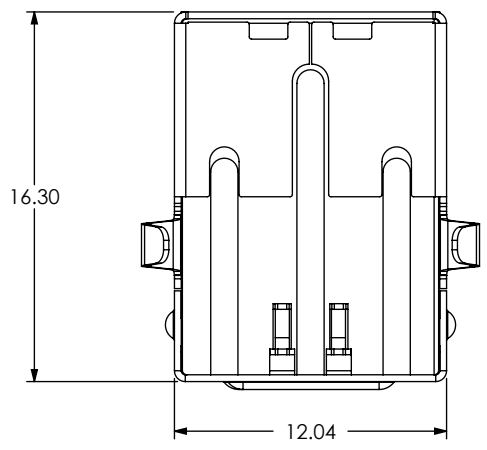
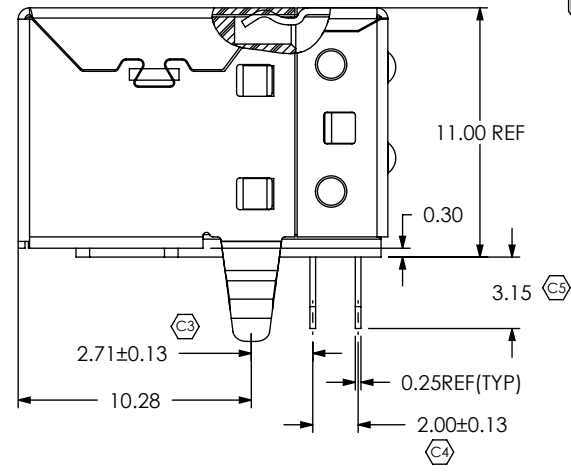
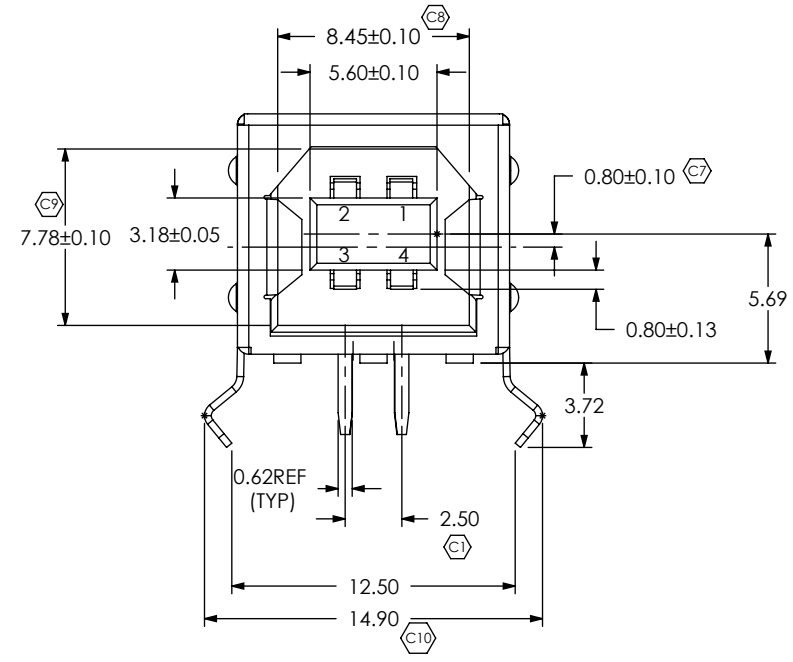
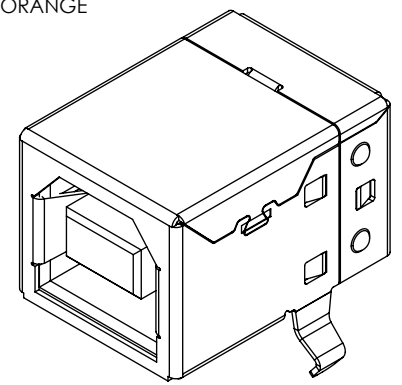
DO NOT SCALE FROM THIS PRINT



DESIGNED & DIMENSIONED IN MILLIMETERS

USB-R-B-S-X-O-TH-X

- TYPE B
- CONFIGURATION -S: SINGLE
- PLATING SPECIFICATION
 - F: 1μ" MIN GOLD IN CONTACT AREA, MATTE TIN ON TAIL
 - S: 30 μ" GOLD IN CONTACT AREA, MATTE TIN ON TAIL
- E&I OPTION
 - R: ROHS COMPLIANT
 - R CALLOUT ONLY AVAILABLE TO EXISTING CUSTOMERS (SEE NOTE 4)
- TERMINATION -TH: THROUGH HOLE
- COLOR -O: ORANGE



NOTES:

1. INCREASED RETENTION ,ORANGE INSULATOR COLOR.
2. (C) REPRESENTS A CRITICAL DIMENSION.
3. WHEN MATED CONNECTION MUST WITHSTAND 15N DEMATING FORCE FOR 1 MINUTE MINIMUM.
4. PARTS ARE ROHS COMPLIANT WITH OR WITHOUT -R OPTION

UNLESS OTHERWISE SPECIFIED, DIMENSIONS ARE IN MILLIMETERS. TOLERANCES ARE:
 DECIMALS ANGLES
 X.X: ±0.3 2°
 X.XX: ±0.25
 X.XXX: ±0.13

PROPRIETARY NOTE
 THIS DOCUMENT CONTAINS CONFIDENTIAL AND PROPRIETARY INFORMATION AND ALL DESIGN, MANUFACTURING, REPRODUCTION, USE, PATENT RIGHTS AND SALES RIGHTS ARE EXPRESSLY RESERVED BY SAMTEC, INC. THIS DOCUMENT SHALL NOT BE DISCLOSED, IN WHOLE OR PART, TO ANY UNAUTHORIZED PERSON OR ENTITY NOR REPRODUCED, TRANSFERRED OR INCORPORATED IN ANY OTHER PROJECT IN ANY MANNER WITHOUT THE EXPRESS WRITTEN CONSENT OF SAMTEC, INC.



520 PARK EAST BLVD, NEW ALBANY, IN 47150
 PHONE: 812-944-6733 FAX: 812-948-5047
 e-Mail: info@SAMTEC.com code: 55322

MATERIAL: DO NOT SCALE DRAWING SHEET SCALE: 2:1
 INSULATOR: PA 9T COLOR:ORANGE
 CONTACT : PHOS BRONZE
 REAR SHIELD: NICKEL PLATED STEEL
 FRONT SHIELD: NICKEL PLATED PHOS BRONZE
 MAX FLASH ALLOWED: 0.05
 MAX GATE VESTIGE: 0.05
 F:\D\WG\MISC\MKT\USB-R-B-S-X-O-TH-X-MKT.SLDDRW

DESCRIPTION: HIGH RETENTION USB TYPE B THROUGH HOLE
 DWG. NO. USBR-B-S-X-O-TH-X
 BY: STEVEN XU 10-20-2010 SHEET 1 OF 1