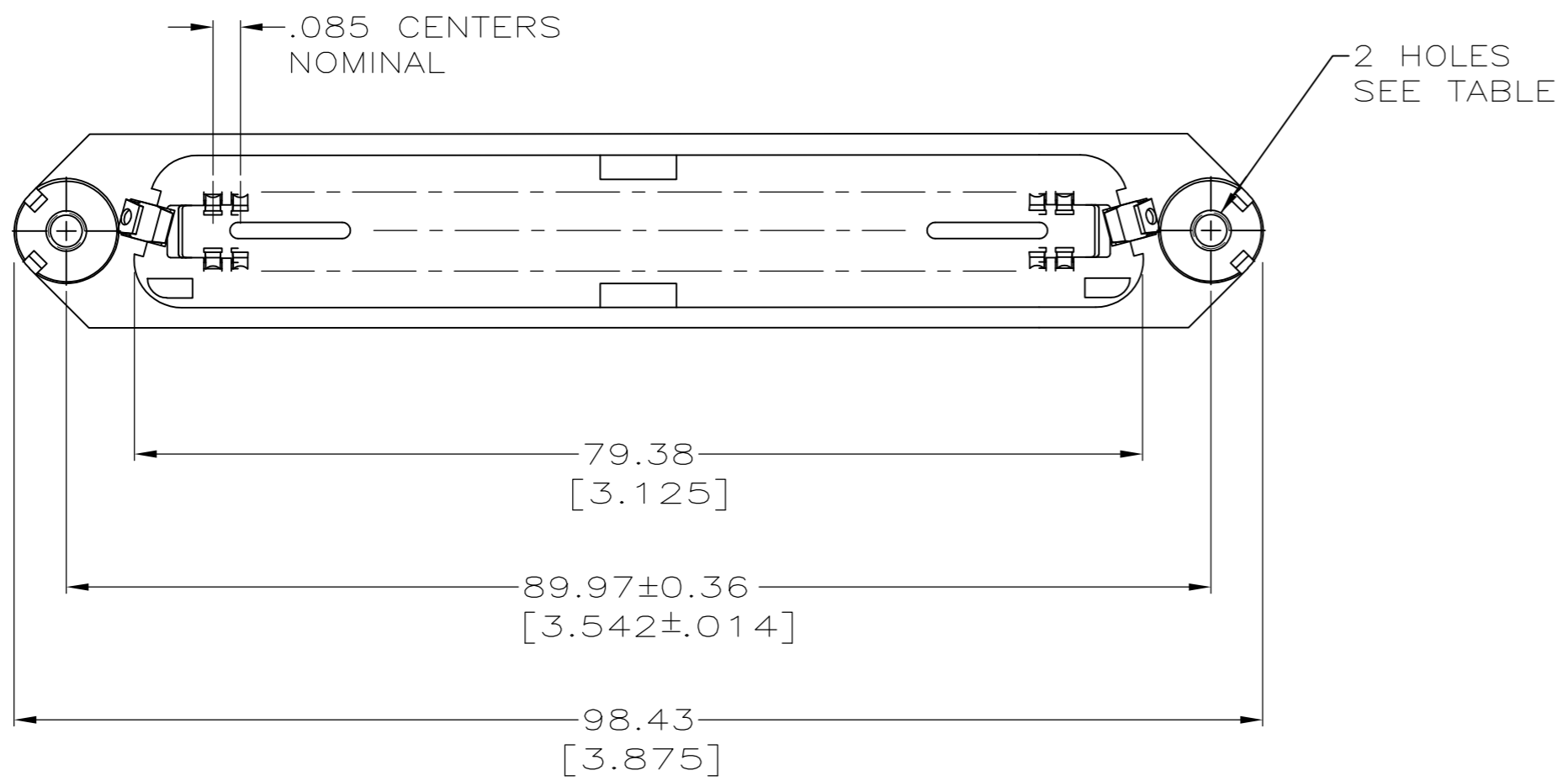
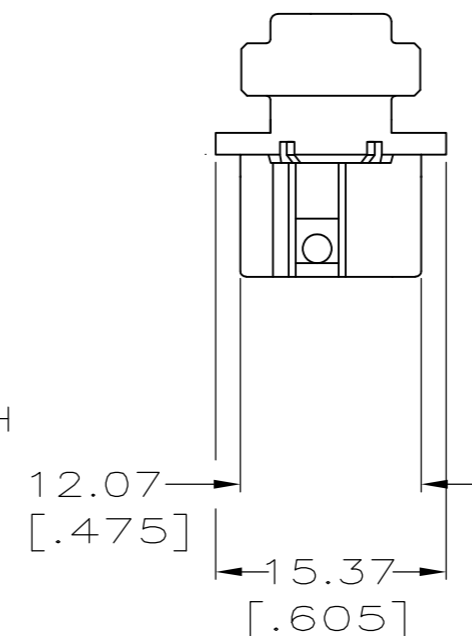
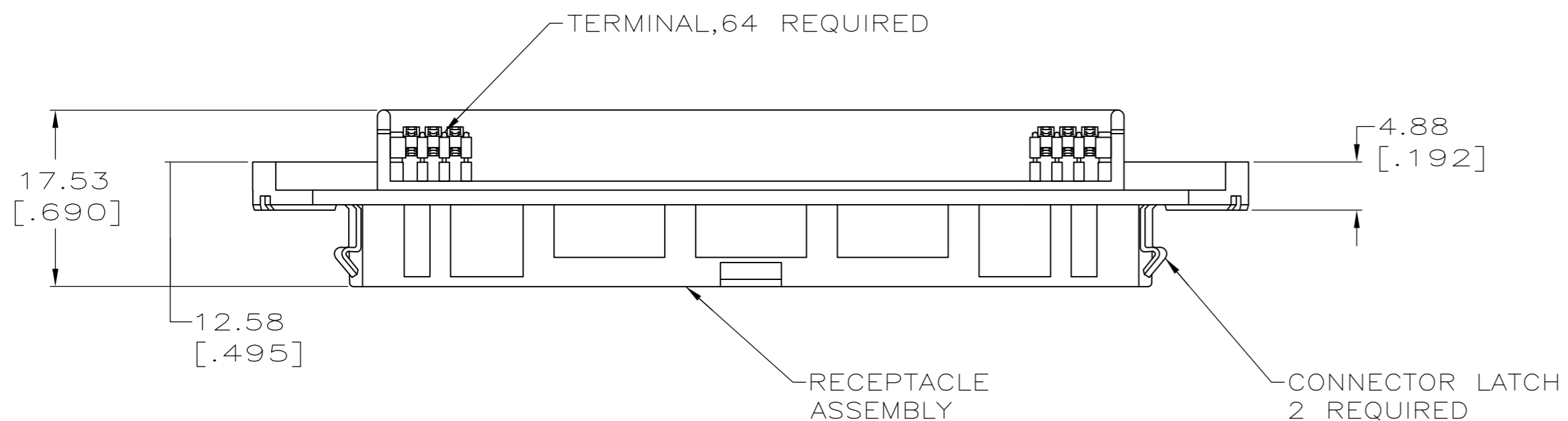
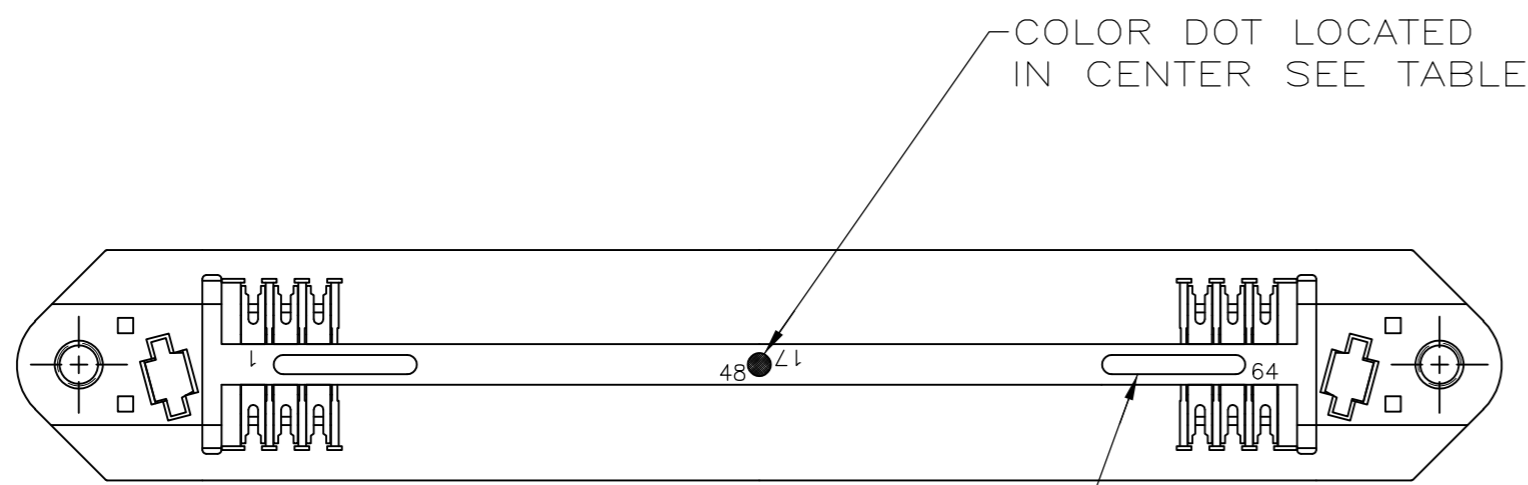


THIS DRAWING IS UNPUBLISHED. RELEASED FOR PUBLICATION  
 © COPYRIGHT 2005 BY TYCO ELECTRONICS CORPORATION. ALL RIGHTS RESERVED.

LOC	DIST	REVISIONS			
P	LTR	DESCRIPTION	DATE	DWN	APVD
GP	00	B	REVISED PER ECO-08-007327	02OCT08	BM WM



- 1 MATERIAL: HOUSING - POLYPHENYLENE OXIDE. TERMINAL - HIGH STRENGTH COPPER ALLOY PLATED WITH 0.76µm [.000030] MIN GOLD OR GOLD FLASH OVER PALLADIUM NICKEL PLATE, 0.76µm [.000030] MIN TOTAL ON MATING SURFACE, OVER 1.27µm [.000050] MIN NICKEL PLATING. LATCH - BRIGHT ZINC PLATED STEEL.
- 2 THE CONTACT SURFACES OF THE TERMINALS ARE COATED WITH LUBRICANT.
- 3 ALL DIMENSIONS SHOWN ARE MAXIMUM UNLESS OTHERWISE SPECIFIED.
- 4 WIRE SIZE: 24 & 26 AWG SOLID OR 24 AWG 7 STRANDS OF COPPER CONDUCTORS. MAXIMUM INSULATION DIAMETER OF .045 IS ACCEPTABLE FOR MOST APPLICATIONS.
- 5 WIRE SIZE: 22 AWG SOLID OR STRANDED COPPER CONDUCTORS. MAXIMUM INSULATION DIA. OF .056 IS ACCEPTABLE FOR MOST APPLICATIONS.
- 6 CORING MAY OR MAY NOT APPEAR AND IS AT THE DISCRETION OF AMP INCORPORATED.

Ø.182 - Ø.192	BLUE	B	4	BLACK	1-5554381-0
#4-40UNC-2B	BLUE	B	4	BLACK	5554381-2
HOLE SIZE	COLOR DOT	SLOT SIZE	COLOR	PART NUMBER	
THIS DRAWING IS A CONTROLLED DOCUMENT.		DWN G.PETERS 28SEP05	Tyco Electronics Corporation Harrisburg, Pa 17105-3608		
DIMENSIONS: mm [INCHES]		CHK W.MILLHIMES 28SEP05	NAME		
TOLERANCES UNLESS OTHERWISE SPECIFIED:		APVD M.WALMSLEY 28SEP05	PRODUCT SPEC		
0 PLC ± -		APPLICATION SPEC			
1 PLC ± -		WEIGHT			
2 PLC ± -		SCALE 2:1			
3 PLC ± -		SHEET 1 OF 1			
4 PLC ± -		REV B			
ANGLES ± -		CUSTOMER DRAWING			
FINISH		SIZE CAGE CODE DRAWING NO RESTRICTED TO			
1		A2 00779 C=5554381			