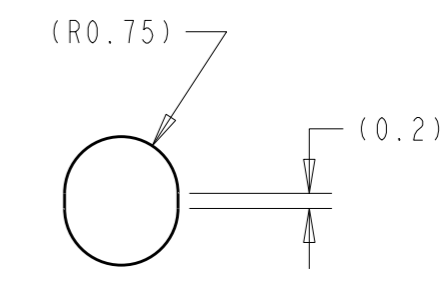
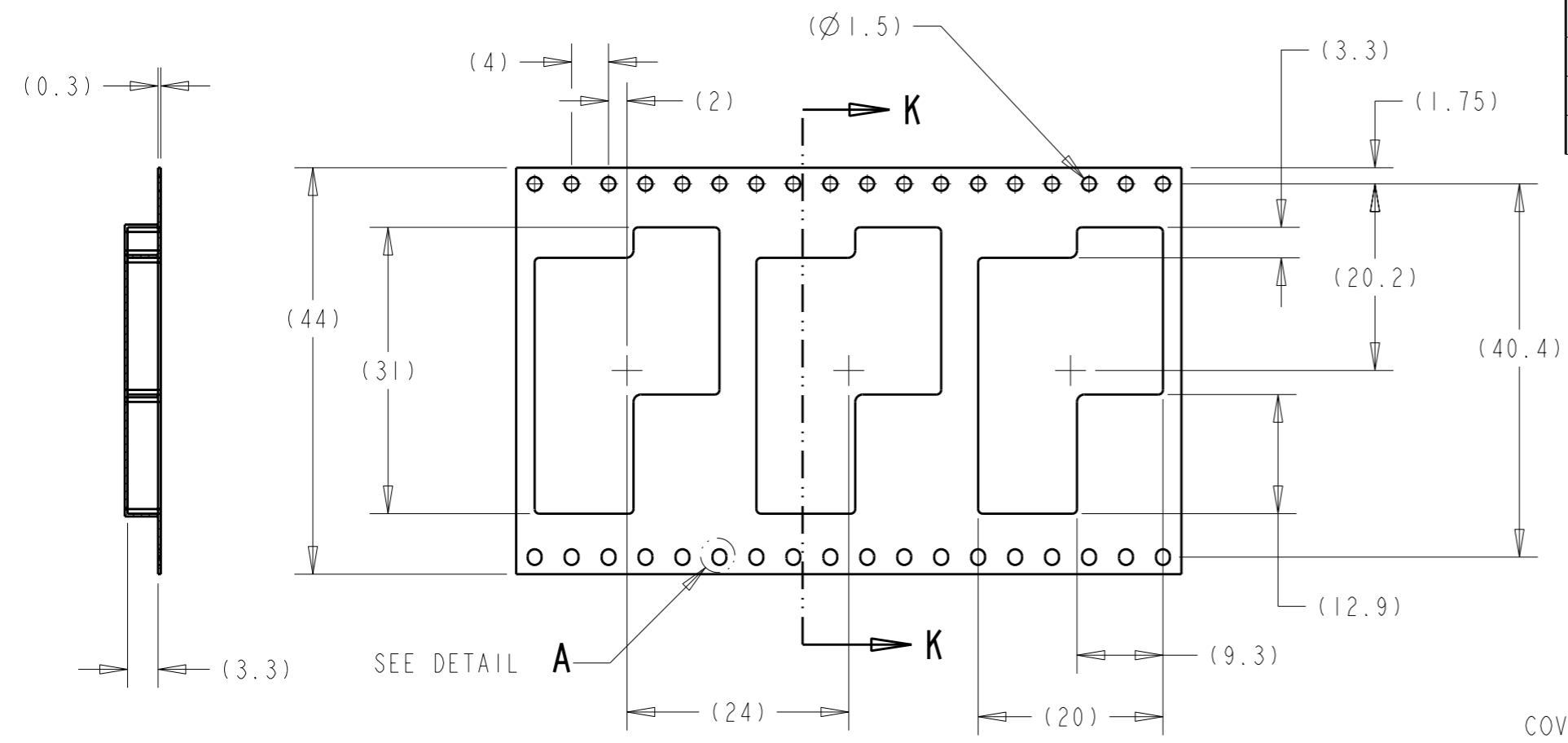


THIS DRAWING IS UNPUBLISHED. RELEASED FOR PUBLICATION 20
 © COPYRIGHT 2005 BY - ALL RIGHTS RESERVED.

LOC	DIST	REVISIONS				
P	LTR	DESCRIPTION	DATE	DWN	APVD	
GP	00	SEE SHEET 1	-	-	-	

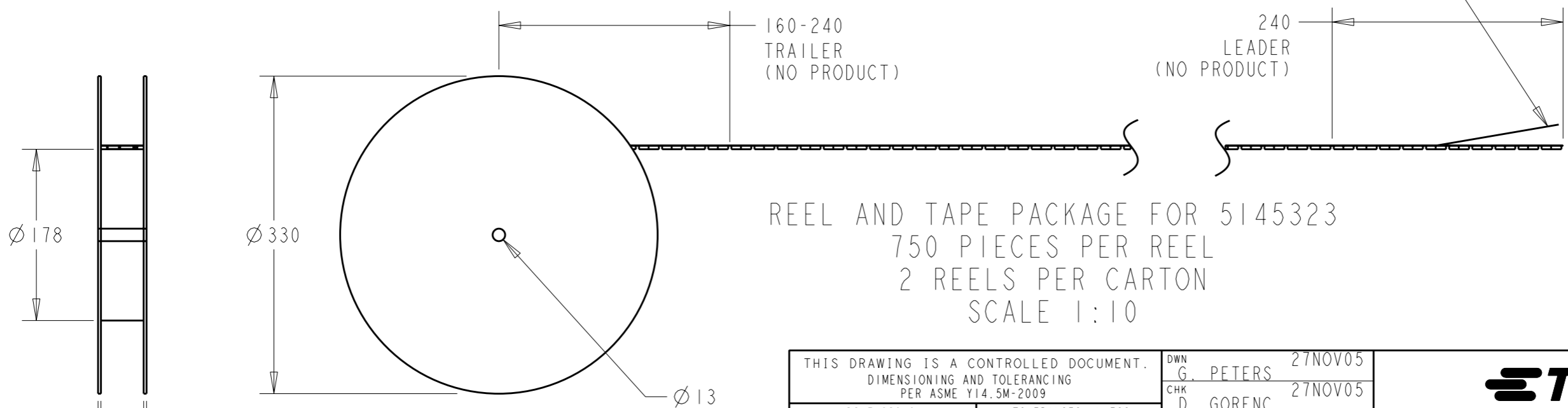


DETAIL A
SCALE 10:1

SECTION K-K

PACKAGING TAPE
SCALE 3:2

COVER TAPE OVER
OUTSIDE WRAP OF
LEADER. 1 FULL
WRAP MINIMUM



REEL AND TAPE PACKAGE FOR 5145323
750 PIECES PER REEL
2 REELS PER CARTON
SCALE 1:10

THIS DRAWING IS A CONTROLLED DOCUMENT. DIMENSIONING AND TOLERANCING PER ASME Y14.5M-2009		DWN G. PETERS 27NOV05	TE Connectivity	
DIMENSIONS: mm		CHK D. GORENC 27NOV05		
TOLERANCES UNLESS OTHERWISE SPECIFIED:		APVD M. WALMSLEY 27NOV05	NAME 6 AND 8 POSITION SMT CONTACT MODULE W/ SWITCH	
0 PLC ±-		PRODUCT SPEC 108-1742	SIZE A3	
1 PLC ±0.25		APPLICATION SPEC -	CAGE CODE 00779	DRAWING NO 5145323
2 PLC ±0.13		WEIGHT -	RESTRICTED TO -	
3 PLC ±-		CUSTOMER DRAWING		
4 PLC ±-		SCALE 2:1		
ANGLES ±-		SHEET 2 OF 2		
FINISH -		REV A		