

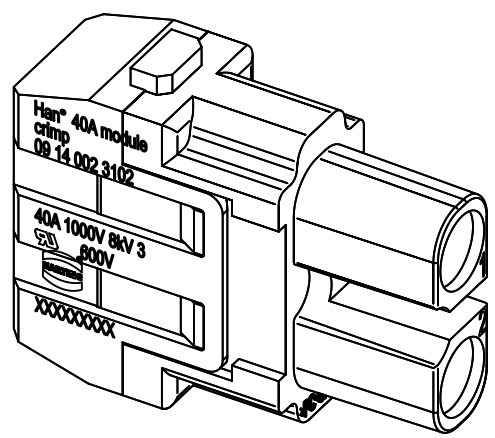
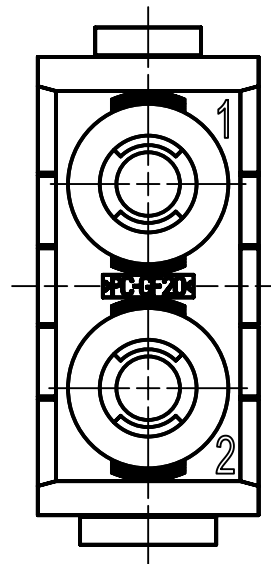
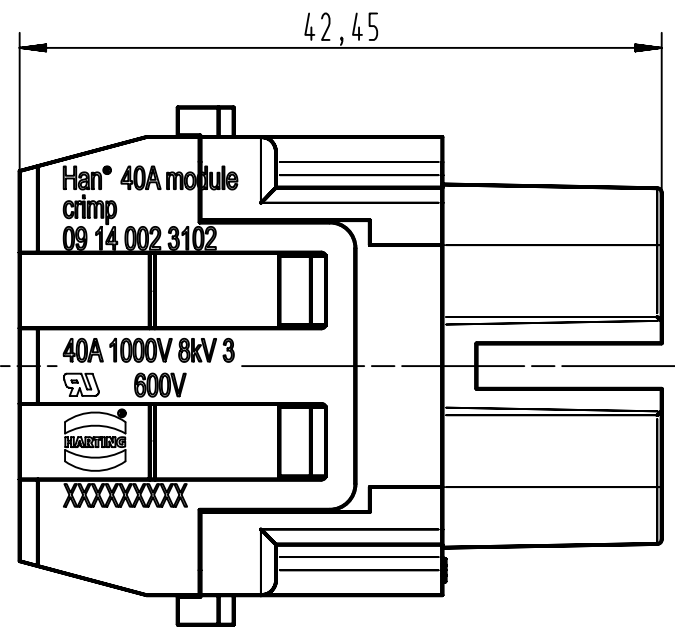
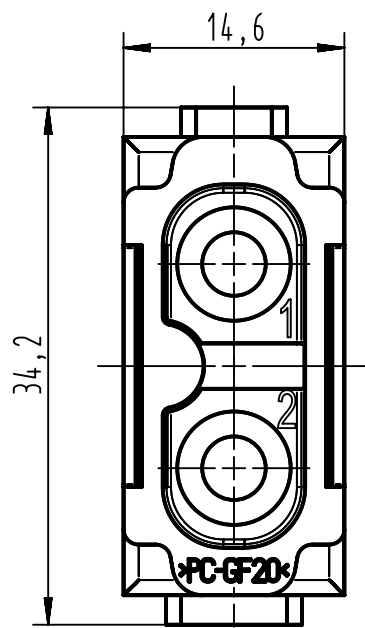
1 2 3 4 5 6

A

B

C

D



	All Dimensions in mm Original Size DIN A4	Scale 2:1			Free size tol.		Ref.	
						Sub. TB 09 14 002 3102 v. 28.01.09		
	All rights reserved	Created by	Inspected by	Standardisation	Date	State		
	Department EL PD - DE	HOLLERT	BERGHORN	SCHMIDTM	2013-03-19	Approved		
HARTING Electric GmbH & Co. KG D-32339 Espelkamp		Title Han 40A crimp module, female				Doc-Key / ECM-Nr. 100533579/UGD/001/A 500000060095		
		Type TB	Number 09 14 002 3102			Rev. A	Page 1/1	